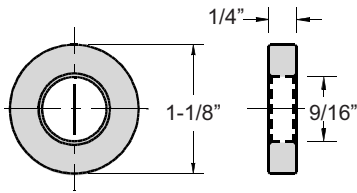




HEAVY DUTY MACHINED WASHERS

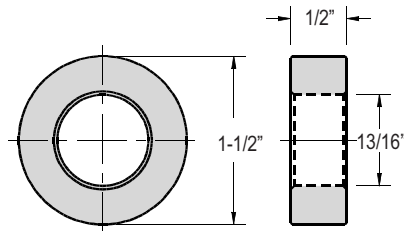
DESIGNED FOR TOUGH MOLD CLAMPING REQUIREMENTS

4140 STEEL
HEAT TREATED
40-46 Rc



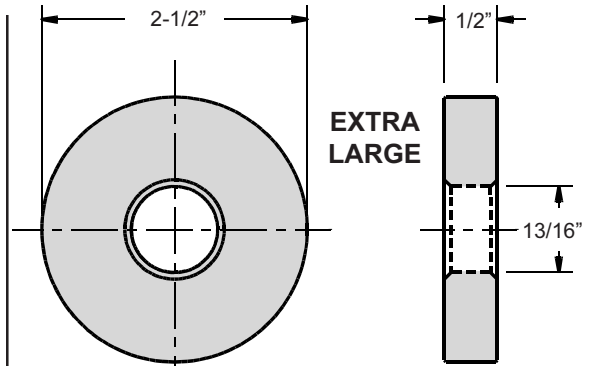
MODEL W-118

1-8 PCS	\$1.43
9-23 PCS	\$1.39
24-99 PCS	\$1.33
100+ PCS	\$1.25



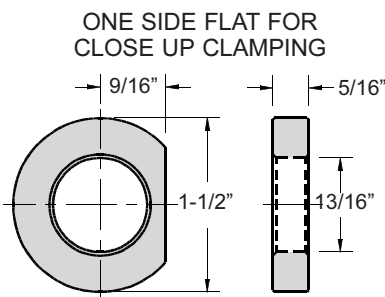
MODEL W-114

1-8 PCS	\$2.15
9-23 PCS	\$2.08
24-99 PCS	\$2.02
100+ PCS	\$1.96



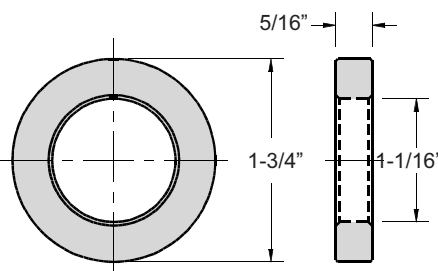
MODEL W-6

1-8 PCS	\$6.63
9-23 PCS	\$6.37
24+	\$6.10



MODEL W-112F

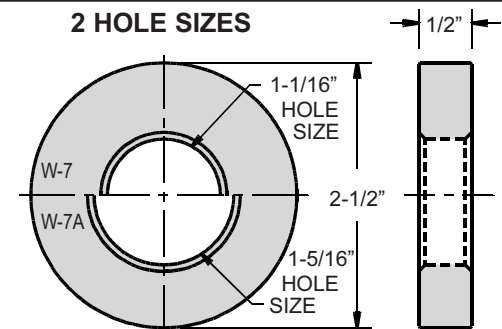
1-8 PCS	\$2.10
9-23 PCS	\$2.05
24-99 PCS	\$1.95
100+ PCS	\$1.90



MODEL W-134

1-8 PCS	\$2.15
9-23 PCS	\$2.08
24-99 PCS	\$2.02
100+ PCS	\$1.96

Note: Drawings are not to scale.

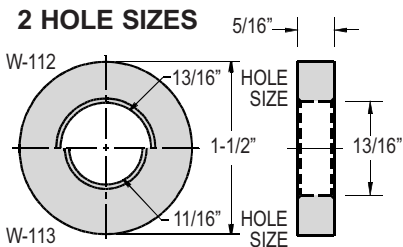


MODEL W-7

1-8 PCS	\$6.63
9-23 PCS	\$6.37
24+	\$6.10

MODEL W-7A

1-8 PCS	\$6.96
9-23 PCS	\$6.70
24+	\$6.45

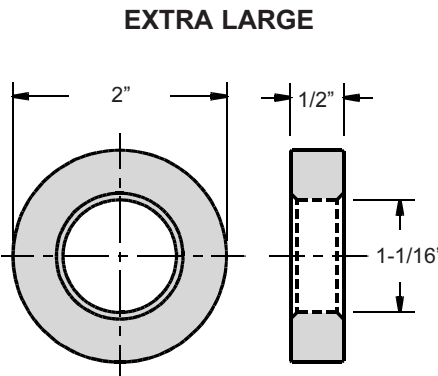


MODEL W-112

1-8 PCS	\$1.43
9-23 PCS	\$1.39
24-99 PCS	\$1.33
100+ PCS	\$1.25

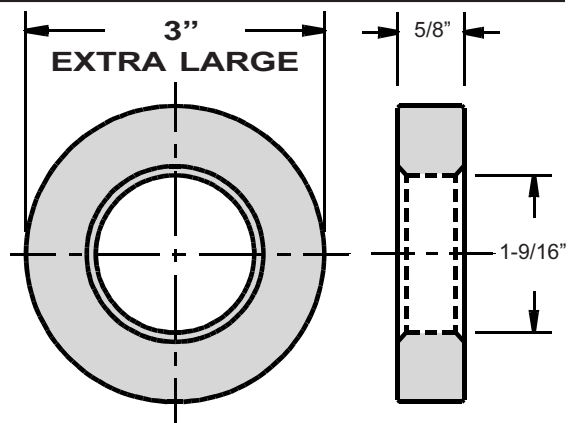
MODEL W-113

1-8 PCS	\$1.43
9-23 PCS	\$1.39
24-99 PCS	\$1.33
100+ PCS	\$1.25



MODEL W-5

1-8 PCS	\$4.70
9-23 PCS	\$4.50
24-99 PCS	\$4.30
100+ PCS	\$4.10



MODEL W-8A

1-8 PCS	\$14.15
9-23 PCS	\$13.45
24+	\$12.80



PLASTIC PROCESS EQUIPMENT, INC.

8303 CORPORATE PARK DRIVE
MACEDONIA, OHIO 44056
216-367-7000 • FAX: 216-367-7022
TOLL FREE: 800-321-0562

6385 MONTESSOURI STREET
LAS VEGAS, NEVADA 89113
702-433-6385 • FAX: 702-433-6388
TOLL FREE: 800-258-8877

www.ppe.com
e-mail: sales@ppe.com

Toll Free: USA, Canada & Mexico
800-362-0706

Order Fax: 800-223-8305