

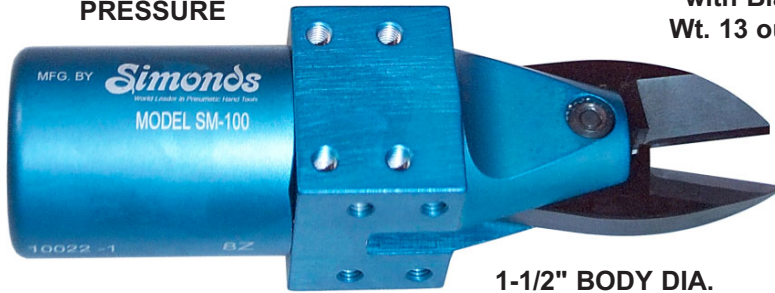


AIR OPERATED GATE CUTTERS

ROBOTIC INDUSTRIAL POWER PACK - FOR USE WITH ROBOTS

450 LB. CUTTING PRESSURE

6" LENGTH O.A. with Blades.
Wt. 13 ounces.



ALL TOOLS
Standard actuators have a piston-stroke of 1-1/2 inches (38mm) and deliver rated thrust at 80 psi (5.62 kg/cm²) air input. Units will give positive operation, with proportionally lower thrust, at inputs down to 60 psi (4.22 kg/cm²). Unit can be operated at air pressures of 60 to 100 psi (4.22 to 7.03 kg/cm²).

MODEL SM-100 ROBOTIC POWER PACK

All in one Power Pack and Blade Holder (Blades not included)

- 1 Unit \$342.00
- 2 or more \$327.95

- #23 Pivot Screw (special ground) .. \$15.50
- #21-BK10 Coil Spring (10pk).....\$14.95

1-1/2" BODY DIA.

BENCH STAND AND CLAMP



MODEL A-202-1
\$99.45

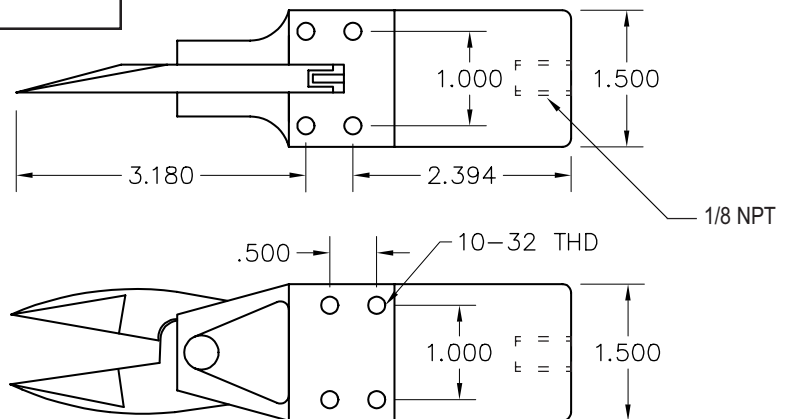
FOOT SWITCH



MODEL 103
\$115.95

ALL BLADES

AISI-SI Tool Steel. They can be removed for sharpening and can be reversed for left hand operation.



Special Flat Back Full Flush Cut Blade

PGC-7



NEW

Blade Opening
.438" at Tip
.125" at Base
1.000" Cutting Length
18° Angle

- Model PGC-7 Blades
- 1 Set \$157.75
 - 2 or more \$151.25



PGC-2

CASE HARDENED FOR LONGER LIFE

Blade Opening
.500" at Tip
.156" at Base
.875" Cutting Length
18° Angle

- Model PGC-2 Blades
- 1 Set..... \$98.60
 - 2 or more..... \$94.55



CD-31

CASE HARDENED FOR LONGER LIFE

Blade Opening
.425" at Tip
.165" at Base
.750" Cutting Length
15° Angle

- Model CD-31 Blades
- 1 Set..... \$114.90
 - 2 or more.... \$110.15



CD-11

Blade Opening
.313" at Tip
.219" at Base
.438" Cutting Length
45° Angle

- Model CD-11 Blades
- 1 Set\$102.00
 - 2 or more \$97.85



SJ1-45

Blade Opening
.500" at Tip
.340" at Base
.800" Cutting Length
45° Angle

- Model SJ1-45 Blades
- 1 Set \$197.15
 - 2 or more \$189.05



SJ1-60

Blade Opening
.500" at Tip
.375" at Base
.800" Cutting Length
60° Angle

- Model SJ1-60 Blades
- 1 Set \$233.15
 - 2 or more \$223.60



SJ1-90

Blade Opening
.375" at Tip
.375" at Base
.800" Cutting Length
90° Angle

- Model SJ1-90 Blades
- 1 Set \$313.95
 - 2 or more \$301.05



PLASTIC PROCESS EQUIPMENT, INC.

www.ppe.com • e-mail: sales@ppe.com

PPE WEST 6385 Montessouri Street, Las Vegas, Nevada 89113
702-433-6385 • 800-258-8877 • Fax: 702-433-6388

PPE SOUTH 11218 Challenger Avenue, Odessa, Florida 33556
727-834-8888 • 800-282-6783 • Fax: 727-834-8873

8303 CORPORATE PARK DRIVE, MACEDONIA (Cleveland), OHIO 44056, USA

216-367-7000 • Toll Free: 800-321-0562 • Fax: 216-367-7022 • Order Fax: 800-223-8305

Toll Free: USA, Canada & Mexico
800-362-0706