



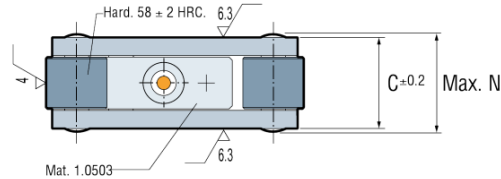
PLATE ACCELERATOR MECHANICAL DOUBLE EJECTION SYSTEM

CUMSA

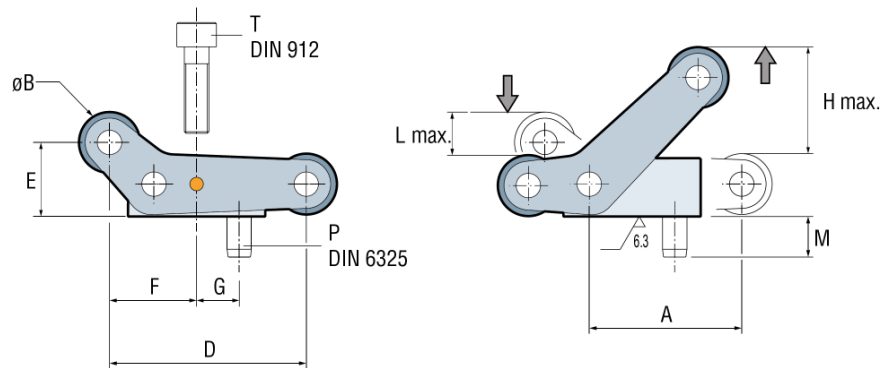
FEATURES

- Allows increased movement of a second ejector plate within a normal ejector stroke.
- Simple mechanical double ejection system is much less complex than competitive systems.
- Minimal space required for installation.
- Socket head cap screw included.
- Material: 1.2150 Alloy Steel
Hardness: 55 ±2 Rc

ISO-9001
MANUFACTURED IN A
QUALITY SYSTEM CERTIFIED
FACILITY.



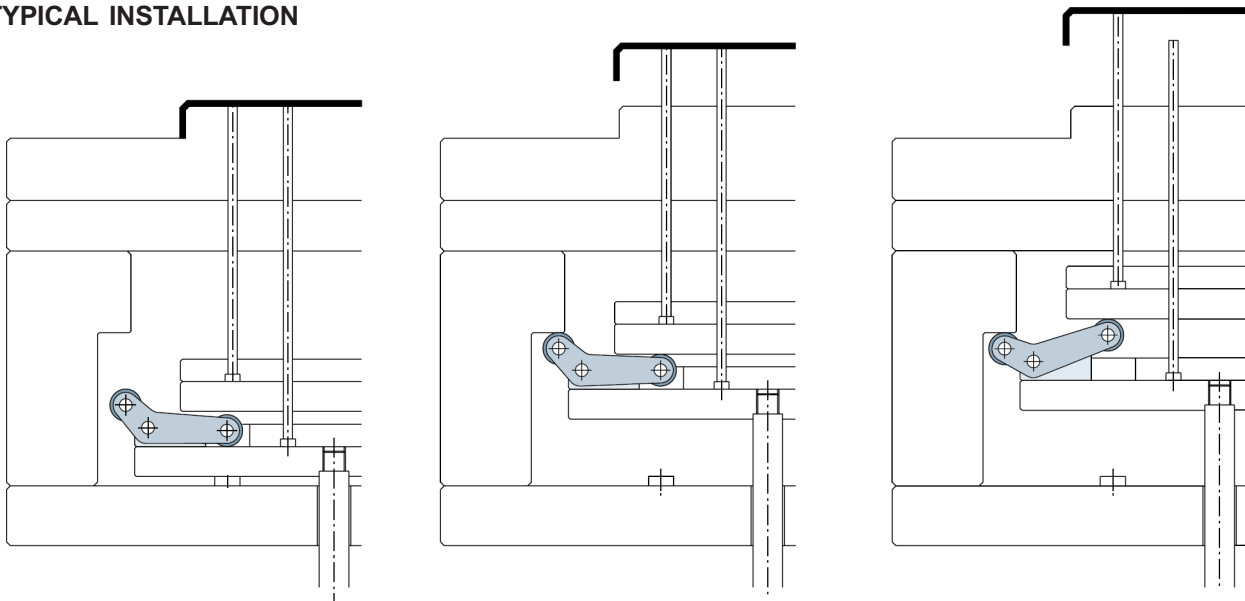
Part No.	Price
EP200813	\$94.00
EP251016	\$102.00
EP371522	\$109.75
EP502030	\$118.00



DIMENSIONS (shown in mm)

Part No.	A	B	C	D	E	F	G	H max.	L max.	M	N	P	T	Max. Force
EP200813	20	8	13.2	25.8	9.4	11.4	6	13.6	5.5	5	15	Ø2.5x10	M3x12	125 kg.
EP251016	25	10	16	32.3	11.8	14.3	7	17	6.8	6	18.5	Ø3x12	M4x16	250 Kg.
EP371522	37.5	15	22	48.5	17.7	21.5	10.5	25.5	10.2	8	25	Ø4x16	M6x25	350 Kg.
EP502030	50	20	30	64.6	23.6	28.6	14	34	13.6	10	34	Ø5x20	M8x30	800 Kg.

TYPICAL INSTALLATION



PLASTIC PROCESS EQUIPMENT, INC.

8303 CORPORATE PARK DRIVE
MACEDONIA, OHIO 44056
216-367-7000 • FAX: 216-367-7022
TOLL FREE: 800-321-0562

6385 MONTESSOURI STREET
LAS VEGAS, NEVADA 89113
702-433-6385 • FAX: 702-433-6388
TOLL FREE: 800-258-8877

www.ppe.com
e-mail: sales@ppe.com

Toll Free: USA, Canada & Mexico
800-362-0706

Order Fax: 800-223-8305