



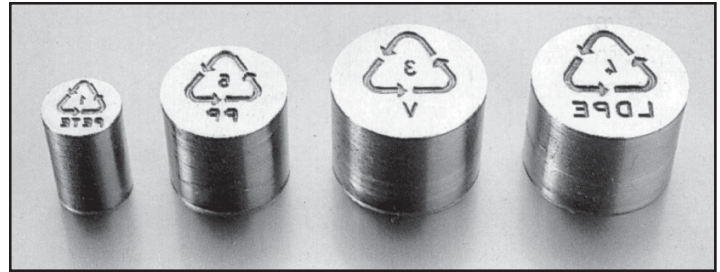
RECYCLING INSERTS

CUMSA

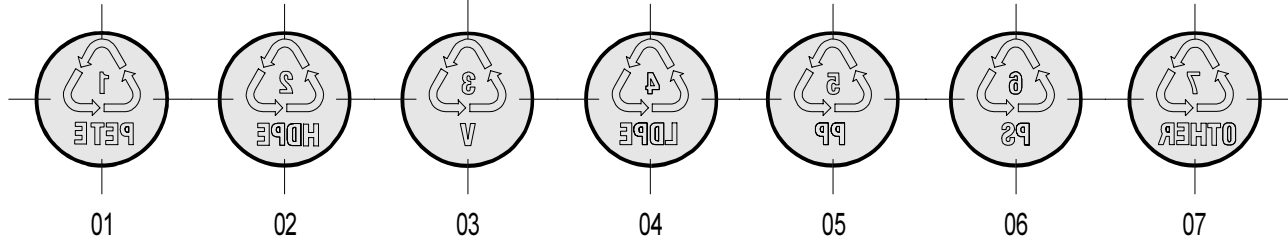
IDENTIFIES PLASTICS FOR FUTURE RECYCLING OR DISPOSAL

FEATURES

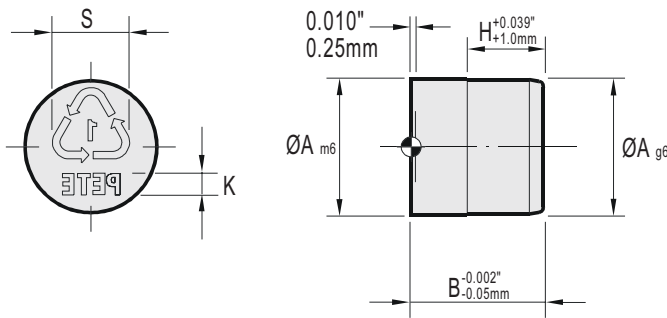
- Allows easy identification of molding materials for future recycling and/or disposal of plastic parts.
- Uses industry standard recycling symbols.
- 28 models available.
- Simply drill hole and drive-in place. To remove drive-out from rear.
- Made from AISI 420 stainless, 50-55 Rc.
- Extremely high quality



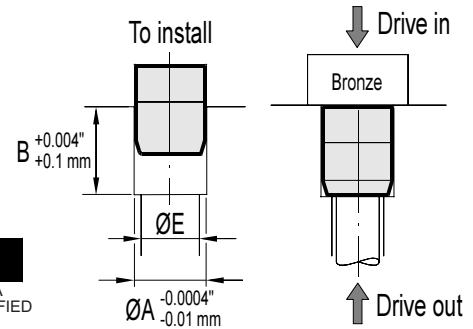
4 DIAMETERS AND 7 FACE STYLES AVAILABLE



INSERT DIMENSIONS



HOLE DIMENSIONS



ISO-9001
MANUFACTURED IN A
QUALITY SYSTEM CERTIFIED
FACILITY.

DIMENSIONS & TOLERANCES

ØA		m6 TOLERANCE		g6 TOLERANCE		B		ØE		H		K		S	
mm	inches	mm	inches	mm	inches	mm	inches	mm	inches	mm	inches	mm	inches	mm	inches
10.0	0.3937	+0.007	+0.0003	-0.006	-0.0002	12.0	0.4724	8.0	0.3150	7.0	0.2756	1.6	0.0630	5.6	0.2205
		+0.018	+0.0007	-0.017	-0.0007										
12.0	0.4724	+0.007	+0.0003	-0.006	-0.0002	12.0	0.4724	10.0	0.3937	7.0	0.2756	2.0	0.0787	6.8	0.2677
		+0.018	+0.0007	-0.017	-0.0007										
16.0	0.6299	+0.007	+0.0003	-0.006	-0.0002	16.0	0.6299	12.0	0.4724	9.0	0.3543	2.6	0.1024	9.0	0.3543
		+0.018	+0.0007	-0.017	-0.0007										
20.0	0.7874	+0.008	+0.0003	-0.007	-0.0003	16.0	0.6299	16.0	0.6299	9.0	0.3543	3.2	0.1260	11.5	0.4528
		+0.021	+0.0008	-0.020	-0.0008										

BODY DIAMETER A		FACE STYLES AND PART NUMBERS							PRICES
mm	inches	01	02	03	04	05	06	07	
10.0	0.3937	IR1001	IR1002	IR1003	IR1004	IR1005	IR1006	IR1007	\$39.75
12.0	0.4724	IR1201	IR1202	IR1203	IR1204	IR1205	IR1206	IR1207	\$41.90
16.0	0.6299	IR1601	IR1602	IR1603	IR1604	IR1605	IR1606	IR1607	\$43.95
20.0	0.7874	IR2001	IR2002	IR2003	IR2004	IR2005	IR2006	IR2007	\$47.30



PLASTIC PROCESS EQUIPMENT, INC.

8303 CORPORATE PARK DRIVE
MACEDONIA, OHIO 44056-2300
216-367-7000 • FAX: 216-367-7022
TOLL FREE: 800-321-0562

6385 MONTESSOURI STREET
LAS VEGAS, NEVADA 89113-1186
702-433-6385 • FAX: 702-433-6388
TOLL FREE: 800-258-8877

www.ppe.com

e-mail: sales@ppe.com

Toll Free: USA, Canada & Mexico

800-362-0706

Order Fax: 800-223-8305