



AIR OPERATED GATE CUTTERS

ROBOTIC INDUSTRIAL POWER PACK - FOR USE WITH ROBOTS

160 LB. CUTTING PRESSURE



4-3/4" LENGTH O.A. with Blades. Wt. 4 ounces.



1-1/4" BODY DIA.

ALL BLADES

AISI-SI Tool Steel. They can be removed for sharpening and can be reversed for left hand operation

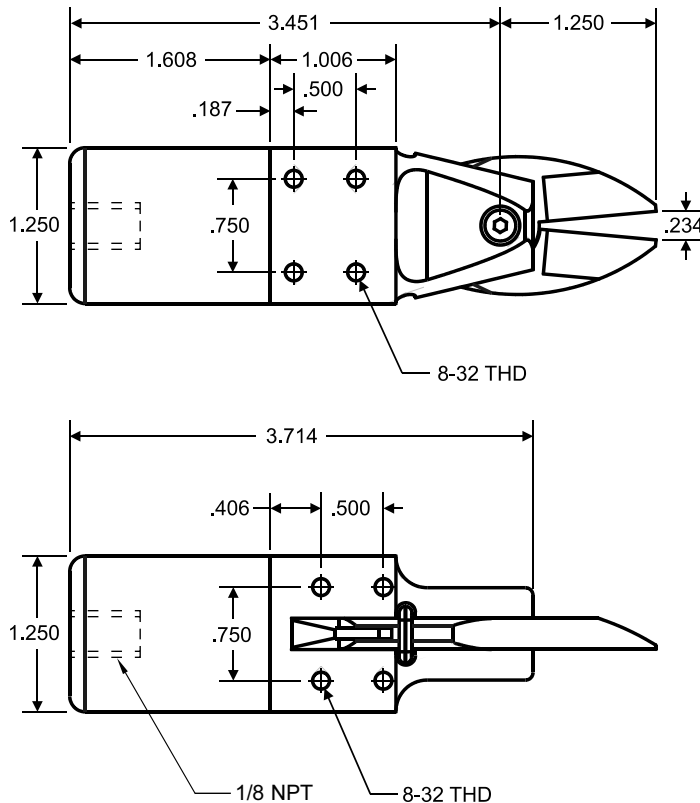
ALL TOOLS
Standard actuators have a piston-stroke of 1-1/2 inches (38mm) and deliver rated thrust at 80 psi (5.62 kg/cm²) air input. Units will give positive operation, with proportionally lower thrust, at inputs down to 60 psi (4.22 kg/cm²). Unit can be operated at air pressures of 60 to 100 psi (4.22 to 7.03 kg/cm²).

MODEL SM-50 ROBOTIC POWER PACK

All in one Power Pack and Blade Holder (Blades not included)

1 Unit..... **\$240.00**
2 or more..... **\$230.15**

#MSP-1-11 Pivot Screw **\$14.12**
#MM-1-5 Return Spring **\$5.26**



PGC-1.5

Special Flat Back Full Flush Cut Blade



Blade Opening
.234" at Tip
.063" at Base
.875" Cutting Length
0° Angle

Model **PGC-1.5** Blades
1 Set **\$107.15**
2 or more..... **102.75**

AIR HOSE

Length: 5 ft.
Fittings: One 1/8" NPT
One 1/4" NPT



Model **102-5** Hose
Price **\$36.90**

3-WAY FOOT SWITCH

The 3-Way Foot Switch works by pushing the piston shaft forward and the return spring inside the power pack retracts the piston.



Model **103** Foot Switch
Price **\$115.95**



PLASTIC PROCESS EQUIPMENT, INC.

www.ppe.com • e-mail: sales@ppe.com

PPE WEST 6385 Montessouri Street, Las Vegas, Nevada 89113
702-433-6385 • 800-258-8877 • Fax: 702-433-6388

PPE SOUTH 11218 Challenger Avenue, Odessa, Florida 33556
727-834-8888 • 800-282-6783 • Fax: 727-834-8873

8303 CORPORATE PARK DRIVE, MACEDONIA (Cleveland), OHIO 44056, USA

Toll Free: USA, Canada & Mexico
800-362-0706