



THE BETTER PROBES
OR STAINLESS STEEL
PLUS HEAVY GAUGE

HOPPER LOADER PROBES PICK-UP WANDS

FOR VACUUM LOADERS



INLET O.D.	BODY O.D.	MATERIAL	24" LONG		36" LONG		48" LONG	
			PART NO.	PRICE	PART NO.	PRICE	PART NO.	PRICE
1"	1-3/4"	ALUMINUM	D8677	\$70.50	D7209	\$73.25	D8678	\$99.75
1"	1-3/4"	STAINLESS	SD8677	\$86.75	SD7209	\$98.25	SD8678	\$144.50
1-1/4"	2"	ALUMINUM	D8676	\$71.25	D3263	\$58.00	D8543	\$91.00
1-1/4"	2"	STAINLESS	SD8676	\$89.50	SD3263	\$107.75	SD8543	\$141.00
1-1/2"	2-1/4"	ALUMINUM	D8679	\$73.00	D7210	\$80.35	D8544	\$93.00
1-1/2"	2-1/4"	STAINLESS	SD8679	\$107.75	SD7210	\$136.50	SD8544	\$142.00
1-1/2"	2-1/2"	ALUMINUM			D11173	\$93.00		
1-3/4"	2-1/2"	ALUMINUM			D10061	\$80.25	D10080	\$108.80
2"	2-3/4"	ALUMINUM			D9502	\$90.50	D11119	\$111.00
2-1/2"	3-1/2"	ALUMINUM					D11120	\$122.30
3"	4"	ALUMINUM					D11121	\$143.00
3-1/2"	4-1/2"	ALUMINUM					D11122	\$210.00

SINGLE TUBE LOADER PROBES FOR VENTURI LOADERS



SIZE O.D. X LENGTH	MATERIAL	PART NO.	PRICE	MATERIAL	PART NO.	PRICE
1-1/4" x 48"	ALUMINUM	AL11448	\$49.00	STAINLESS	SS11448	\$60.00
1-1/2" x 48"	ALUMINUM	AL11248	\$55.00	STAINLESS	SS11248	\$62.00
2" x 48"	ALUMINUM	AL20048	\$62.00	STAINLESS	SS20048	\$79.00
2-1/2" x 48"	ALUMINUM	AL21248	\$70.00	STAINLESS	SS21248	\$80.00
3" x 48"	ALUMINUM	AL30048	\$76.00	STAINLESS	SS30048	\$97.00

Aluminum = 6061-T6

LINE VAC™ AVAILABLE



We did test the Line Vac™ on our Venturi Loader Material Probes and the lbs per hour thruput increased over 60% @ 80 P.S.I.



BULLET MAGNETS 5 MODELS

SUPER POWER - RARE EARTH MAGNETS FOR JUST-IN-TIME LOADERS



FEATURES & BENEFITS

- Longer lengths for more magnetic surface area.
- Two magnet diameters, 1 inch & 5/8 inch.
- Five sizes to fit most sight glass throats.
- Sealed welded construction.
- Super power rare earth magnet.

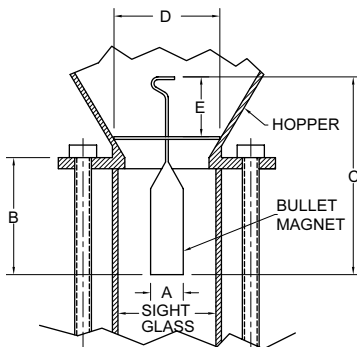
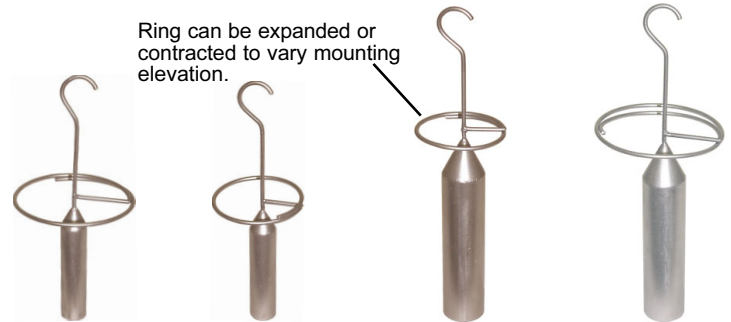


The PPE Bullet Magnets are Super Power Rare Earth (Neodymium-Iron-Boron) Cartridges welded to a stainless steel wire ring. They are designed to be suspended in the center of the site glass tube of your hopper loader to catch and hold tramp ferrous metals. This position allows you to inspect the magnet for metal build-up. The magnet will not interfere with your proximity level control switch. The stainless ring can be bent to suit your required diameter for the correct suspension height.

Ring can be expanded or contracted to vary mounting elevation.



THE BETTER BULLET MAGNETS



Model 200115 Fits PPE Venturi Loader

PART NO.	DIMENSIONS					PRICE EACH
	"A" DIA.	"B" LENGTH	"C" O.A.	"D" RING	"E"	
200115	1"	3"	9-1/2"	4-3/8"	---	\$120.00
200116	1"	4-1/2"	8"	2-1/2"	3"	\$125.00
200117	1"	4-1/2"	8"	1-3/4"	3"	\$125.00
200118	5/8"	2-7/8"	6-1/8"	1-3/4"	2-3/4"	\$78.00
200119	5/8"	2-7/8"	6-1/8"	2-1/2"	2-3/4"	\$78.00



PLASTIC PROCESS EQUIPMENT, INC.

www.ppe.com • e-mail: sales@ppe.com

6385 Montessouri Street, Las Vegas, Nevada 89113
702-433-6385 • 800-258-8877 • Fax: 702-433-6388

11218 Challenger Avenue, Odessa, Florida 33556
727-834-8888 • 800-282-6783 • Fax: 727-834-8873

8303 CORPORATE PARK DRIVE, MACEDONIA (Cleveland), OHIO 44056, USA

Toll Free: USA, Canada & Mexico
800-362-0706

216-367-7000 • Toll Free: 800-321-0562 • Fax: 216-367-7022 • Order Fax: 800-223-8305