



PARTS SEPARATOR

FREE STANDING - 3 WIDTHS

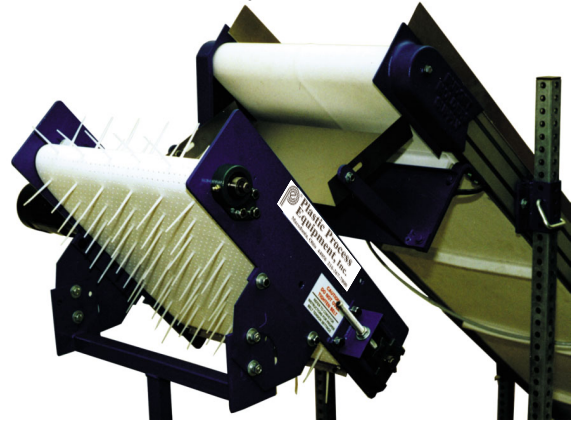
FEATURES

- Solid 1/4 x 6" flat aluminum side plates with welded aluminum crossbraces (not bolted).
- Separator pins are 2-3/4" tall.
- Separator pin holes are 1/2" spaced center on center.
- Adjustable height.
- Separator can angle 360°.
- Portable—easy to move.
- Sprocket to roller drive totally enclosed for operator safety.
- Self-aligning bearings with take-up screws.



SPECIFICATIONS

- Belt is a heavy 2 ply white belt with FDA/USDA approval and stainless steel lacing.
- Belt speed 17-1/2 ft. per min.
- 1/15 H.P. 115/60/1 motor.
- 12' grounded power cord.
- Overload protected starter with pilot light.
- 2-3/4" from the top of the belt to the top of frame.



- SEPARATORS -

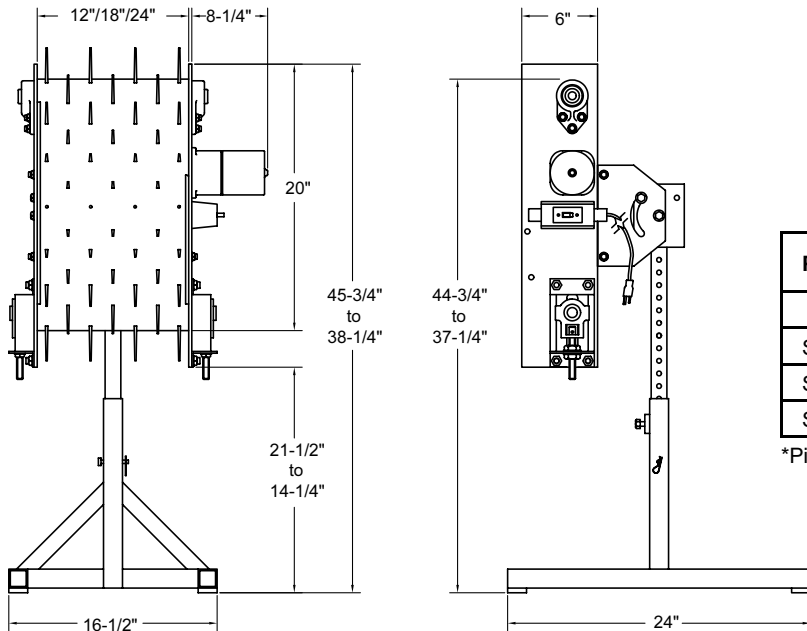
MODEL NO.	BELT WIDTH	*SEPARATOR PINS	PRICE
PSB-12	12"	200 included	\$1,484.00
PSB-18	18"	300 included	1,549.00
PSB-24	24"	400 included	1,640.00

*Pins not installed.

- SPARE PARTS -

PART NO.	DESCRIPTION	PRICE
1080*	Spare separator pins (100 per pack)	\$25.45
SBPSB-12	Spare belt for model #PSB-12 (no pins)	107.27
SBPSB-18	Spare belt for model #PSB-18 (no pins)	142.24
SBPSB-24	Spare belt for model #PSB-24 (no pins)	189.64

*Pins not included with spare belts.



PLASTIC PROCESS EQUIPMENT, INC.

6385 Montessouri Street, Las Vegas, Nevada 89113
702-433-6385 • 800-258-8877 • Fax: 702-433-6388

11218 Challenger Avenue, Odessa, Florida 33556
727-834-8888 • 800-282-6783 • Fax: 727-834-8873

8303 CORPORATE PARK DRIVE, MACEDONIA (Cleveland), OHIO 44056, USA

216-367-7000 • Toll Free: 800-321-0562 • Fax: 216-367-7022 • Order Fax: 800-223-8305

www.ppe.com • e-mail: sales@ppe.com

Toll Free: USA, Canada & Mexico
800-362-0706