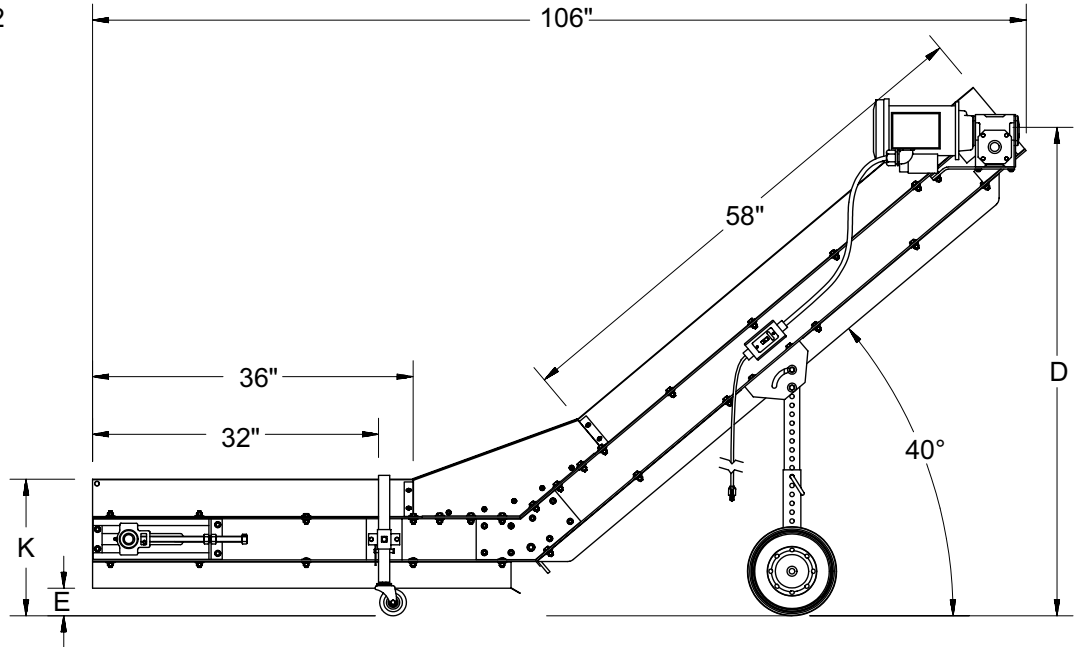
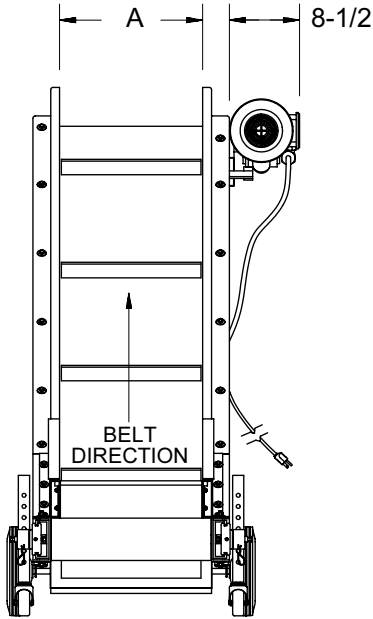
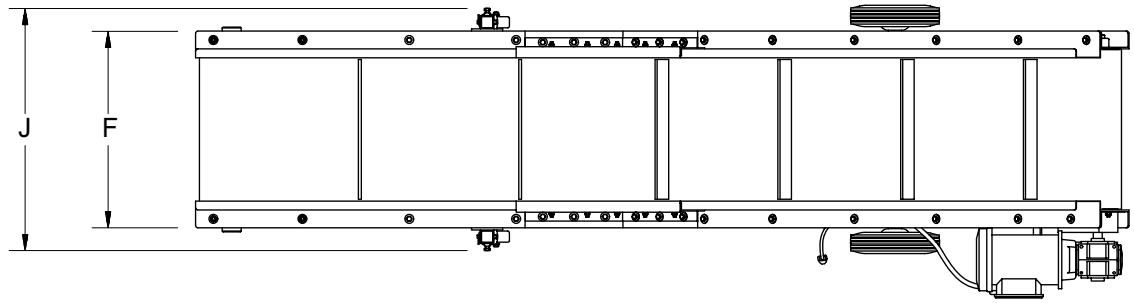




FIXED INCLINE CONVEYOR

DIMENSIONS & SIZES



MODEL NO.	A BELT WIDTH In.	F FRAME WIDTH In.	J WIDTH In.	D Height To Top of Belt In.		E Height Floor To Belly Pan In.		K Height Floor To Top of Side Rails In.		APPROX. SHIPPING WEIGHT	PRICE
				MAX.	MIN.	MAX.	MIN.	MAX.	MIN.		
FIC-12	10"	16-1/16"	22"	63	51	10	2-1/2	22	14-1/2	560 lbs.	\$3,685.00
FIC-18	16"	22-1/16"	28"	63	51	10	2-1/2	22	14-1/2	590 lbs.	\$4,125.00
FIC-24	22"	28-1/16"	34"	63	51	10	2-1/2	22	14-1/2	620 lbs.	\$4,421.00

F.O.B. SHIPPING POINT

- OPTIONAL:** A) STAINLESS STEEL SIDE RAILS, INQUIRE
 B) VARIABLE SPEED CONTROL FACTORY INSTALLED ONLY,
 0-103 F.P.M., SCR CONTROL, 1/2 H.P. DC MOTOR **\$461.00**
 Add "VS" to conveyor model number.



PLASTIC PROCESS EQUIPMENT, INC.

www.ppe.com • e-mail: sales@ppe.com

PPE WEST 6385 Montessouri Street, Las Vegas, Nevada 89113
 702-433-6385 • 800-258-8877 • Fax: 702-433-6388

PPE SOUTH 11218 Challenger Avenue, Odessa, Florida 33556
 727-834-8888 • 800-282-6783 • Fax: 727-834-8873

8303 CORPORATE PARK DRIVE, MACEDONIA (Cleveland), OHIO 44056, USA

Toll Free: USA, Canada & Mexico
800-362-0706

PPE 216-367-7000 • Toll Free: 800-321-0562 • Fax: 216-367-7022 • Order Fax: 800-223-8305