



VARIABLE ANGLE CONVEYORS

VARIABLE SPEED 0 TO 54 F.P.M. IS STANDARD!



- IMPROVED BELT -
 New heavy 2 ply more costly monofilament continuous one piece belt. This belt offers straight tracking, edgewear characteristics and exceptional transverse (side to side) rigidity. It has 1" high cleats on 18" centers and is USDA & FDA approved. It includes VEE-Guide belt tracking system. No lacing to snag or drag! Cleats are vulcanized in place. No bolts or rivets. (Maximum height for special higher cleats is 1-1/2".)

- **ADJUSTABLE INCLINE ANGLE 30° min. to 50° max.**
- **VARIABLE SPEED 1/4 H.P. Motor, 120/60/1 STANDARD. 0-54 F.P.M.**
- Totally enclosed drive for operator safety.
- VEE-Guide belt tracking system.
- Continuous 2 ply monofilament white belt (no lacing to snag or drag) FDA approved.
- Heavy bedding under belt adds to the conveyor stability.
- Belt runs under side rails 1/2".
- Heavy extruded and clear anodized aluminum frame.
- Anodized aluminum side rails and part catcher hopper. Optional stainless steel available (made to order).
- Belt has 1" high cleats vulcanized in place.
- Adjustable legs have 3" swivel casters with wheel locks.
- Pre-wired, just plug-in to 120 volts.
- Quick height adjustment. No tools needed.
- Special nonslip roller surface. Drives belt smoothly, avoids over tightening.
- Permanently lubricated bearings for low maintenance.
- 12 ft. x 16-3 grounded power cord.
- Belt speed Variable: 0-54 F.P.M.
- Spring loaded automatic belt tension adjustment.
- Drive and pulleys enclosed for safety.
- 3" dia. rollers with special nonslip design.
- Optional part drop tray and mounting brackets available.

Automatic spring loaded belt tension adjustment. No manual adjustment necessary.

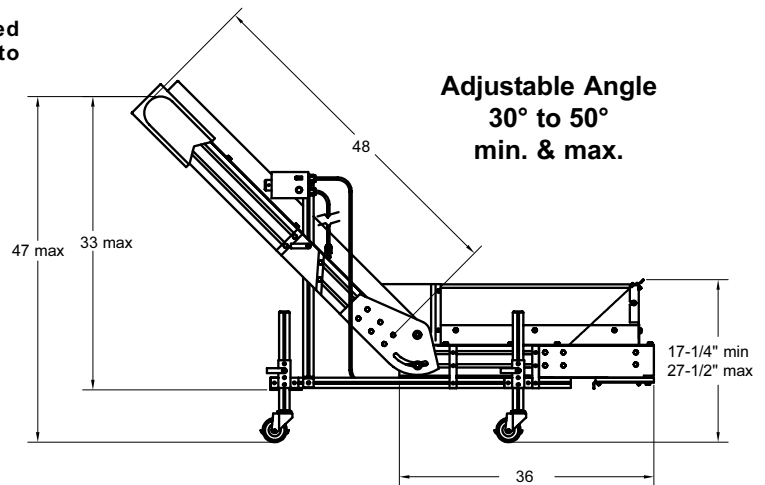
3" swivel casters with wheel locks.



MODEL VIC-1234

PRICE \$3,954.00

Variable Speed Included



PLASTIC PROCESS EQUIPMENT, INC.

www.ppe.com • e-mail: sales@ppe.com

PPE WEST 6385 Montessouri Street, Las Vegas, Nevada 89113
 702-433-6385 • 800-258-8877 • Fax: 702-433-6388

PPE SOUTH 11218 Challenger Avenue, Odessa, Florida 33556
 727-834-8888 • 800-282-6783 • Fax: 727-834-8873

8303 CORPORATE PARK DRIVE, MACEDONIA (Cleveland), OHIO 44056, USA

Toll Free: USA, Canada & Mexico
800-362-0706

PPE 216-367-7000 • Toll Free: 800-321-0562 • Fax: 216-367-7022 • Order Fax: 800-223-8305