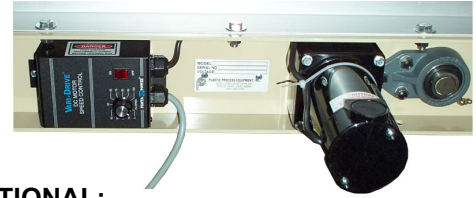
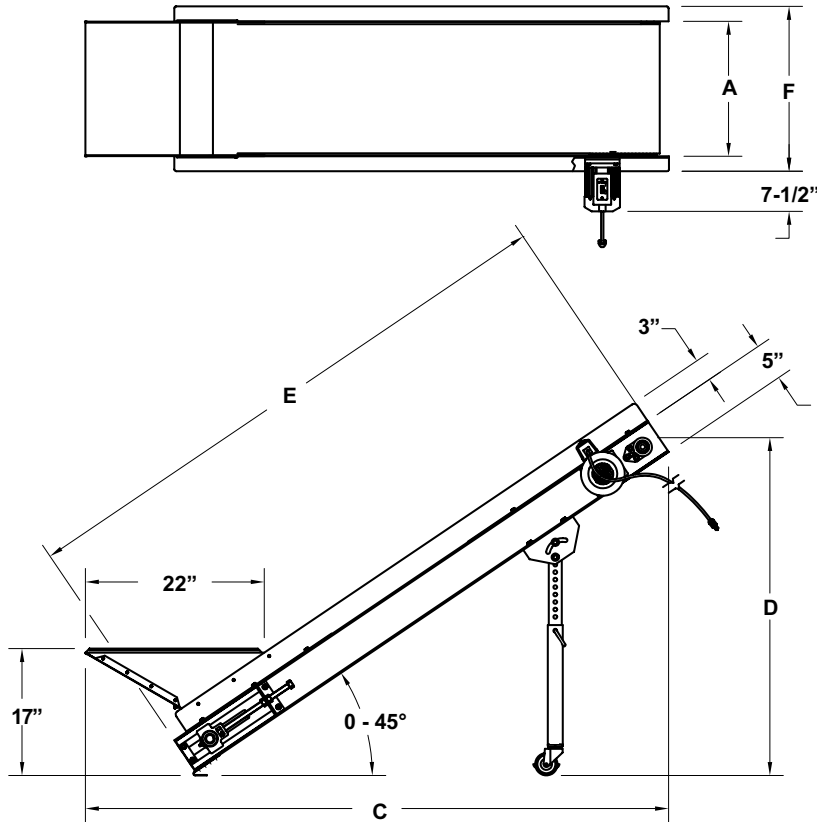




# HEAVY DUTY INCLINE CONVEYOR

## SPECIFICATIONS AND PRICES



**OPTIONAL:**

Variable Speed Control Factory Installed Only, 0-54 FPM, SCR Control, 1/4 H.P. D.C. Motor. Price ..... add \$200.00

★ Variable Speed Control Factory Installed Only, 0-54 FPM, SCR Control, 1/2 H.P. T.E.F.C. Right Angle Gearbox D.C. Motor. Price ..... add \$461.00

Add "VS" to conveyor model number.

**MOLDED-ON CLEAT PRICES**

NOTE: Cleats are indented 1/2" from each side of conveyor belt. Specify desired spacing between cleats.

| HEIGHT | 6" WIDE  | 12" WIDE  | 18" WIDE  | 24" WIDE  |
|--------|----------|-----------|-----------|-----------|
| 3/4"   | 5.62 ea. | 11.15 ea. | 16.73 ea. | 22.31 ea. |
| 1"     | 5.62 ea. | 11.15 ea. | 16.73 ea. | 22.31 ea. |
| 1-1/2" | 6.00 ea. | 12.00 ea. | 18.00 ea. | 24.00 ea. |
| 2"     | 6.00 ea. | 12.00 ea. | 18.00 ea. | 24.00 ea. |

|                 | A Belt Width In. | B Nominal Belt Length | C Length In. @34° | D Drop Height @ 45° | E Incline Length In. | F Frame Width In. | Approx. Shipping Weight Lbs. | Standard Conveyor Model No. | Prices     |
|-----------------|------------------|-----------------------|-------------------|---------------------|----------------------|-------------------|------------------------------|-----------------------------|------------|
| 12" Wide Models | 12"              | 5'                    | 65"               | 45"                 | 64"                  | 17"               | 164                          | PCI-125                     | \$2,064.00 |
|                 | 12"              | 6'                    | 75"               | 54"                 | 76"                  | 17"               | 185                          | PCI-126                     | 2,099.00   |
|                 | 12"              | 7'                    | 85"               | 62"                 | 88"                  | 17"               | 206                          | PCI-127                     | 2,199.00   |
|                 | 12"              | 8'                    | 95"               | 71"                 | 100"                 | 17"               | 233                          | PCI-128                     | 2,318.00   |
|                 | 12"              | 10'                   | 115"              | 88"                 | 124"                 | 17"               | 255                          | PCI-1210                    | 2,527.00   |
|                 | 12"              | 12'                   | 135"              | 105"                | 148"                 | 17"               | 277                          | PCI-1212                    | 2,643.00   |
| 18" Wide Models | 18"              | 5'                    | 65"               | 45"                 | 64"                  | 23"               | 175                          | PCI-185                     | 2,186.00   |
|                 | 18"              | 6'                    | 75"               | 54"                 | 76"                  | 23"               | 200                          | PCI-186                     | 2,225.00   |
|                 | 18"              | 7'                    | 85"               | 62"                 | 88"                  | 23"               | 240                          | PCI-187                     | 2,334.00   |
|                 | 18"              | 8'                    | 95"               | 71"                 | 100"                 | 23"               | 271                          | PCI-188                     | 2,478.00   |
|                 | 18"              | 10'                   | 115"              | 88"                 | 124"                 | 23"               | 311                          | PCI-1810                    | 2,656.00   |
|                 | 18"              | 12'                   | 135"              | 105"                | 148"                 | 23"               | 350                          | PCI-1812                    | 2,830.00   |
|                 | 18"              | 15'                   | 165"              | 130"                | 184"                 | 23"               | 408                          | ★PCI-1815                   | 3,201.00   |
| 24" Wide Models | 24"              | 5'                    | 65"               | 45"                 | 64"                  | 29"               | 186                          | PCI-245                     | 2,264.00   |
|                 | 24"              | 6'                    | 75"               | 54"                 | 76"                  | 29"               | 241                          | PCI-246                     | 2,347.00   |
|                 | 24"              | 7'                    | 85"               | 62"                 | 88"                  | 29"               | 296                          | PCI-247                     | 2,448.00   |
|                 | 24"              | 8'                    | 95"               | 71"                 | 100"                 | 29"               | 375                          | PCI-248                     | 2,599.00   |
|                 | 24"              | 10'                   | 115"              | 88"                 | 124"                 | 29"               | 468                          | PCI-2410                    | 2,794.00   |
|                 | 24"              | 12'                   | 135"              | 105"                | 148"                 | 29"               | 561                          | ★PCI-2412                   | 3,107.00   |
|                 | 24"              | 15'                   | 165"              | 130"                | 184"                 | 29"               | 702                          | ★PCI-2415                   | 3,375.00   |

★ LONGER UNITS SUPPLIED WITH A 1/2 H.P. T.E.F.C. RIGHT ANGLE GEARBOX MOTOR

**OPTIONAL:**

Belt movement On-Off Cycling Timer. Includes motor control and timer factory installed. Can cycle motor up to 10 times per minute. Controls both belt stop time and belt forward movement time. Price add ..... **\$457.00**

Add "BMT" to conveyor model number.



**BELT MOVEMENT ON-OFF CYCLING TIMER**



**PLASTIC PROCESS EQUIPMENT, INC.**

6385 Montessouri Street, Las Vegas, Nevada 89113  
**PPE WEST** 702-433-6385 • 800-258-8877 • Fax: 702-433-6388

11218 Challenger Avenue, Odessa, Florida 33556  
**PPE SOUTH** 727-834-8888 • 800-282-6783 • Fax: 727-834-8873

www.ppe.com • e-mail: sales@ppe.com

8303 CORPORATE PARK DRIVE, MACEDONIA (Cleveland), OHIO 44056, USA

216-367-7000 • Toll Free: 800-321-0562 • Fax: 216-367-7022 • Order Fax: 800-223-8305

Toll Free: USA, Canada & Mexico  
**800-362-0706**