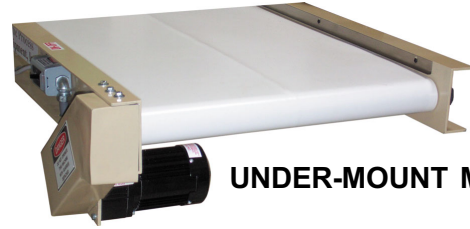
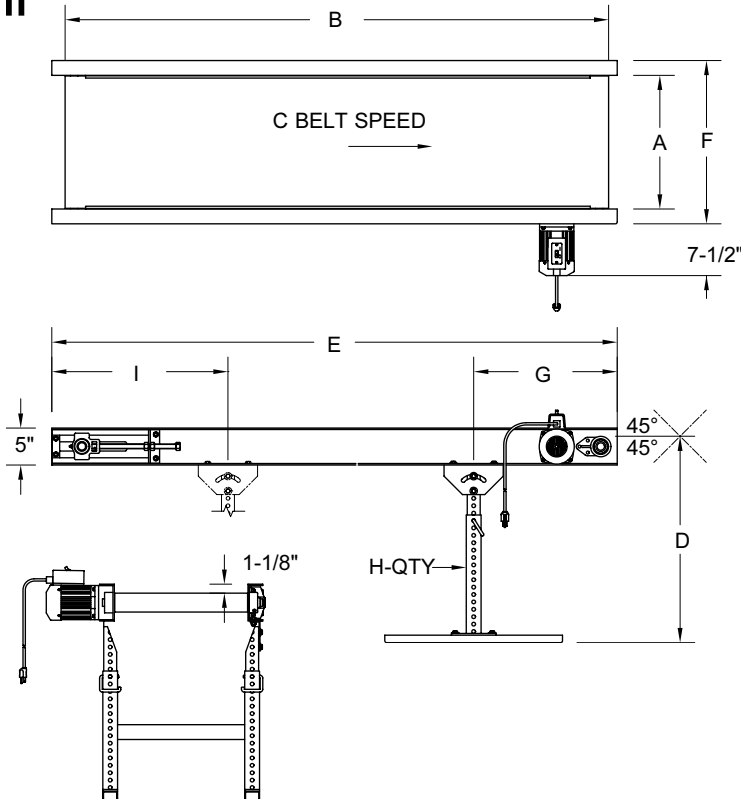




PC HEAVY DUTY CONVEYOR

SPECIFICATIONS AND PRICES



UNDER-MOUNT MOTOR

OPTIONAL:

Motor mounted under conveyor.

Price add **\$210.00**

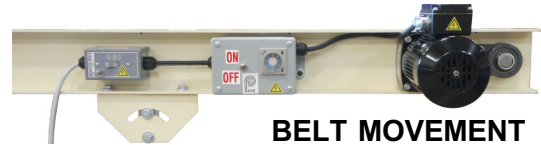
Add "MU" to conveyor model number.

OPTIONAL:

Belt movement On-Off Cycling Timer. Includes motor control and timer factory installed. Can cycle motor up to 10 times per minute. Controls both belt stop time and belt forward movement time.

Price add **\$457.00**

Add "BMT" to conveyor model number.



BELT MOVEMENT ON-OFF CYCLING TIMER

	Model No.	A Belt Width In.	B Nominal Belt Length	C Belt Speed Ft./Min.	D Height to Top of Belt		E Length Overall In.	F Frame Width In.	G In.	H Qty. of Stands	I In.	Approx. Shipping Weight Lbs.	Prices
					Max.	Min.							
12" Wide Models	PC-124	12"	4'	18.3	41"	29"	52"	17"	19"	1	-	143	\$1,686.00
	PC-125	12"	5'	18.3	41"	29"	64"	17"	25-1/4"	1	-	164	\$1,731.00
	PC-126	12"	6'	18.3	41"	29"	76"	17"	31"	1	-	185	\$1,768.00
	PC-127	12"	7'	18.3	41"	29"	88"	17"	37"	1	-	206	\$1,822.00
	PC-128	12"	8'	18.3	41"	29"	100"	17"	23"	2	24"	233	\$2,016.00
	PC-1210	12"	10'	18.3	41"	29"	124"	17"	23"	2	36"	255	\$2,154.00
	PC-1212	12"	12'	18.3	41"	29"	148"	17"	23"	2	48"	277	\$2,244.00
	PC-1215	12"	15'	18.3	41"	29"	184"	17"	23"	2	60"	310	\$2,380.00
18" Wide Models	PC-184	18"	4'	18.3	41"	29"	52"	23"	19"	1	-	150	\$1,775.00
	PC-185	18"	5'	18.3	41"	29"	64"	23"	25-1/4"	1	-	175	\$1,840.00
	PC-186	18"	6'	18.3	41"	29"	76"	23"	31"	1	-	200	\$1,882.00
	PC-187	18"	7'	18.3	41"	29"	88"	23"	37"	1	-	240	\$1,945.00
	PC-188	18"	8'	18.3	41"	29"	100"	23"	23"	2	24"	271	\$2,159.00
	PC-1810	18"	10'	18.3	41"	29"	124"	23"	23"	2	36"	311	\$2,325.00
	PC-1812	18"	12'	18.3	41"	29"	148"	23"	23"	2	48"	350	\$2,455.00
	★PC-1815	18"	15'	19	41"	29"	184"	23"	23"	2	60"	408	\$2,754.00
★PC-1820	18"	20'	19	41"	29"	244"	23"	23"	3	60"	506	\$3,013.00	
24" Wide Models	PC-245	24"	5'	18.3	41"	29"	64"	29"	25-1/4"	1	-	186	\$1,935.00
	PC-246	24"	6'	18.3	41"	29"	76"	29"	31"	1	-	241	\$2,004.00
	PC-247	24"	7'	18.3	41"	29"	88"	29"	37"	1	-	296	\$2,068.00
	PC-248	24"	8'	18.3	41"	29"	100"	29"	23"	2	24"	375	\$2,291.00
	PC-2410	24"	10'	18.3	41"	29"	124"	29"	23"	2	36"	468	\$2,478.00
	★PC-2412	24"	12'	19	41"	29"	148"	29"	23"	2	48"	561	\$2,596.00
	★PC-2415	24"	15'	19	41"	29"	184"	29"	23"	2	60"	702	\$2,758.00

★ LONGER UNITS SUPPLIED WITH A 1/2 H.P. T.E.F.C. RIGHT ANGLE GEARBOX MOTOR. SEE EXTRA WIDE MODELS FOR PICTURE.

STANDARD STEEL SIDE RAILS, UP TO 8 FT. LONG x 3 1/2" HIGH\$102.00

STAINLESS STEEL SIDE RAILS, UP TO 8 FT. LONG x 3 1/2" HIGH.....\$150.00

MOLDED-ON CLEAT PRICES NOTE: CLEATS ARE INDENTED 1/2" FROM EACH SIDE OF CONVEYOR BELT.	HEIGHT	6" WIDE	12" WIDE	18" WIDE	24" WIDE
	3/4"	\$5.62 ea.	\$11.15 ea.	\$16.73 ea.	\$22.31 ea.
	1"	\$5.62 ea.	\$11.15 ea.	\$16.73 ea.	\$22.31 ea.
	1-1/2"	\$6.00 ea.	\$12.00 ea.	\$18.00 ea.	\$24.00 ea.
	2"	\$6.00 ea.	\$12.00 ea.	\$18.00 ea.	\$24.00 ea.