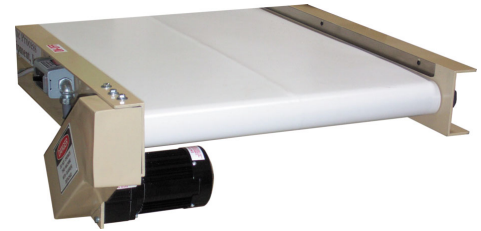
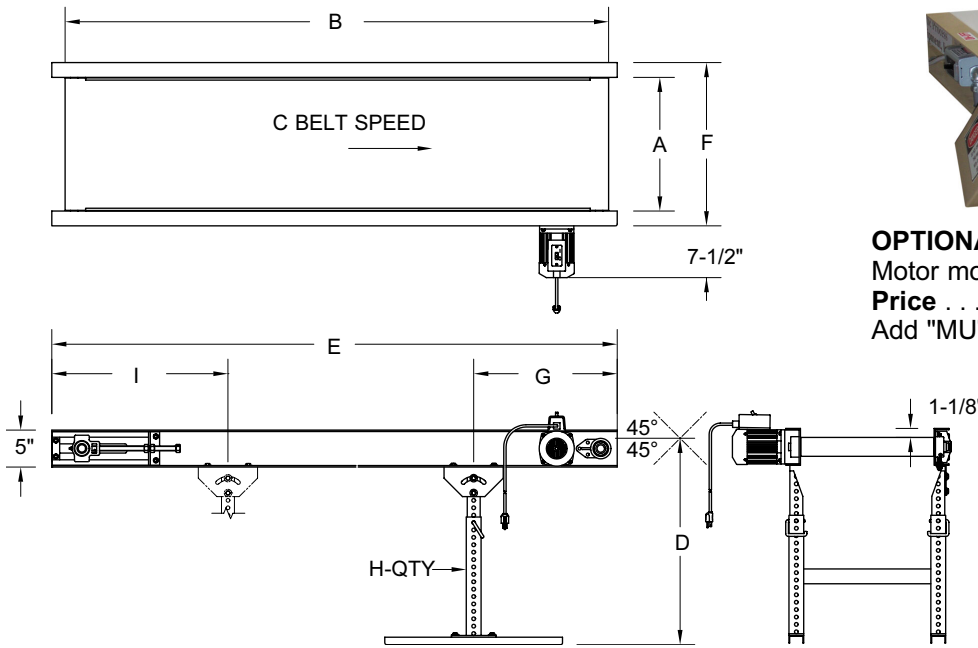




# PC HEAVY DUTY CONVEYOR

## SPECIFICATIONS AND PRICES

### UNDER-MOUNT MOTOR



**OPTIONAL:**  
Motor mounted under conveyor.  
**Price** ..... add **\$210.00**  
Add "MU" to conveyor model number.

**OPTIONAL:**  
On-Off Cycling feature order #685  
Motor and Capacitor factory installed.  
(No controller included.)  
**Price** ..... add **\$118.00**  
Can cycle up to 10 times per minute.  
(NOTE: Can not be used with Variable Speed.)

|                 | Model No. | A<br>Belt Width<br>In. | B<br>Nominal<br>Belt Length | C<br>Belt Speed<br>Ft./Min. | D<br>Height to<br>Top of Belt |      | E<br>Length<br>Overall<br>In. | F<br>Frame<br>Width<br>In. | G<br>In. | H<br>Qty. of<br>Stands | I<br>In. | Approx.<br>Shipping<br>Weight<br>Lbs. | Prices     |
|-----------------|-----------|------------------------|-----------------------------|-----------------------------|-------------------------------|------|-------------------------------|----------------------------|----------|------------------------|----------|---------------------------------------|------------|
|                 |           |                        |                             |                             | Max.                          | Min. |                               |                            |          |                        |          |                                       |            |
| 12" Wide Models | PC-124    | 12"                    | 4'                          | 18.3                        | 41"                           | 29"  | 52"                           | 17"                        | 19"      | 1                      | -        | 143                                   | \$1,686.00 |
|                 | PC-125    | 12"                    | 5'                          | 18.3                        | 41"                           | 29"  | 64"                           | 17"                        | 25-1/4"  | 1                      | -        | 164                                   | \$1,731.00 |
|                 | PC-126    | 12"                    | 6'                          | 18.3                        | 41"                           | 29"  | 76"                           | 17"                        | 31"      | 1                      | -        | 185                                   | \$1,768.00 |
|                 | PC-127    | 12"                    | 7'                          | 18.3                        | 41"                           | 29"  | 88"                           | 17"                        | 37"      | 1                      | -        | 206                                   | \$1,822.00 |
|                 | PC-128    | 12"                    | 8'                          | 18.3                        | 41"                           | 29"  | 100"                          | 17"                        | 23"      | 2                      | 24"      | 233                                   | \$2,016.00 |
|                 | PC-1210   | 12"                    | 10'                         | 18.3                        | 41"                           | 29"  | 124"                          | 17"                        | 23"      | 2                      | 36"      | 255                                   | \$2,154.00 |
|                 | PC-1212   | 12"                    | 12'                         | 18.3                        | 41"                           | 29"  | 148"                          | 17"                        | 23"      | 2                      | 48"      | 277                                   | \$2,244.00 |
|                 | PC-1215   | 12"                    | 15'                         | 18.3                        | 41"                           | 29"  | 184"                          | 17"                        | 23"      | 2                      | 60"      | 310                                   | \$2,380.00 |
| 18" Wide Models | PC-184    | 18"                    | 4'                          | 18.3                        | 41"                           | 29"  | 52"                           | 23"                        | 19"      | 1                      | -        | 150                                   | \$1,775.00 |
|                 | PC-185    | 18"                    | 5'                          | 18.3                        | 41"                           | 29"  | 64"                           | 23"                        | 25-1/4"  | 1                      | -        | 175                                   | \$1,840.00 |
|                 | PC-186    | 18"                    | 6'                          | 18.3                        | 41"                           | 29"  | 76"                           | 23"                        | 31"      | 1                      | -        | 200                                   | \$1,882.00 |
|                 | PC-187    | 18"                    | 7'                          | 18.3                        | 41"                           | 29"  | 88"                           | 23"                        | 37"      | 1                      | -        | 240                                   | \$1,945.00 |
|                 | PC-188    | 18"                    | 8'                          | 18.3                        | 41"                           | 29"  | 100"                          | 23"                        | 23"      | 2                      | 24"      | 271                                   | \$2,159.00 |
|                 | PC-1810   | 18"                    | 10'                         | 18.3                        | 41"                           | 29"  | 124"                          | 23"                        | 23"      | 2                      | 36"      | 311                                   | \$2,325.00 |
|                 | PC-1812   | 18"                    | 12'                         | 18.3                        | 41"                           | 29"  | 148"                          | 23"                        | 23"      | 2                      | 48"      | 350                                   | \$2,455.00 |
|                 | ★PC-1815  | 18"                    | 15'                         | 19                          | 41"                           | 29"  | 184"                          | 23"                        | 23"      | 2                      | 60"      | 408                                   | \$2,754.00 |
| ★PC-1820        | 18"       | 20'                    | 19                          | 41"                         | 29"                           | 244" | 23"                           | 23"                        | 3        | 60"                    | 506      | \$3,013.00                            |            |
| 24" Wide Models | PC-245    | 24"                    | 5'                          | 18.3                        | 41"                           | 29"  | 64"                           | 29"                        | 25-1/4"  | 1                      | -        | 186                                   | \$1,935.00 |
|                 | PC-246    | 24"                    | 6'                          | 18.3                        | 41"                           | 29"  | 76"                           | 29"                        | 31"      | 1                      | -        | 241                                   | \$2,004.00 |
|                 | PC-247    | 24"                    | 7'                          | 18.3                        | 41"                           | 29"  | 88"                           | 29"                        | 37"      | 1                      | -        | 296                                   | \$2,068.00 |
|                 | PC-248    | 24"                    | 8'                          | 18.3                        | 41"                           | 29"  | 100"                          | 29"                        | 23"      | 2                      | 24"      | 375                                   | \$2,291.00 |
|                 | PC-2410   | 24"                    | 10'                         | 18.3                        | 41"                           | 29"  | 124"                          | 29"                        | 23"      | 2                      | 36"      | 468                                   | \$2,478.00 |
|                 | ★PC-2412  | 24"                    | 12'                         | 19                          | 41"                           | 29"  | 148"                          | 29"                        | 23"      | 2                      | 48"      | 561                                   | \$2,596.00 |
|                 | ★PC-2415  | 24"                    | 15'                         | 19                          | 41"                           | 29"  | 184"                          | 29"                        | 23"      | 2                      | 60"      | 702                                   | \$2,758.00 |

★ LONGER UNITS SUPPLIED WITH A 1/2 H.P. T.E.F.C. RIGHT ANGLE GEARBOX MOTOR. SEE EXTRA WIDE MODELS FOR PICTURE.  
STANDARD STEEL SIDE RAILS, UP TO 8 FT. LONG x 3 1/2" HIGH .....\$102.00  
STAINLESS STEEL SIDE RAILS, UP TO 8 FT. LONG x 3 1/2" HIGH.....\$150.00

| MOLDED-ON CLEAT PRICES<br>NOTE: CLEATS ARE INDENTED<br>1/2" FROM EACH SIDE OF<br>CONVEYOR BELT. | HEIGHT | 6" WIDE    | 12" WIDE    | 18" WIDE    | 24" WIDE    |
|---|--------|------------|-------------|-------------|-------------|
|   | 3/4"   | \$5.62 ea. | \$11.15 ea. | \$16.73 ea. | \$22.31 ea. |
|   | 1"     | \$5.62 ea. | \$11.15 ea. | \$16.73 ea. | \$22.31 ea. |
|   | 1-1/2" | \$6.00 ea. | \$12.00 ea. | \$18.00 ea. | \$24.00 ea. |
|   | 2"     | \$6.00 ea. | \$12.00 ea. | \$18.00 ea. | \$24.00 ea. |