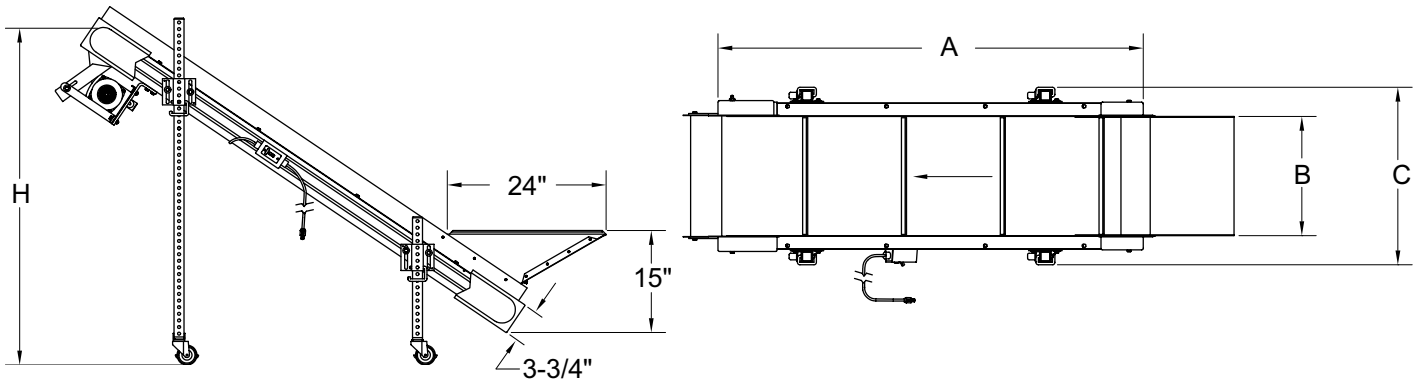




# HI-LINE INCLINED CONVEYORS

## SIZES AND PRICES



\* Made to special order.

B BELT WIDTH	A BELT LENGTH (FEET)	LENGTH O.A. (INCHES)	C WIDTH O.A. (INCHES)	H @ 45° (INCHES)	PRICES (cleated belt included)			
					STANDARD MODEL ANODIZED ALUMINUM SIDERAILS		* OPTIONAL MODEL STAINLESS STEEL SIDERAILS	
<b>6" WIDE</b>	5'	65"	14"	44"	SI-0605	\$2,195.00	SI-0605SS	\$2,249.00
	6'	77"	14"	53"	SI-0606	2,251.00	SI-0606SS	2,309.00
<b>12" WIDE</b>	5'	65"	20"	44"	SI-1205	2,360.00	SI-1205SS	2,426.00
	6'	77"	20"	53"	SI-1206	2,462.00	SI-1206SS	2,532.00
	8'	101"	20"	71"	SI-1208	2,636.00	SI-1208SS	2,751.00
<b>18" WIDE</b>	5'	65"	26"	44"	SI-1805	2,518.00	SI-1805SS	2,594.00
	6'	77"	26"	53"	SI-1806	2,591.00	SI-1806SS	2,669.00
	8'	101"	26"	71"	SI-1808	2,819.00	SI-1808SS	2,943.00
<b>24" WIDE</b>	5'	65"	32"	44"	SI-2405	2,624.00	SI-2405SS	2,705.00
	6'	77"	32"	53"	SI-2406	2,790.00	SI-2406SS	2,874.00
	8'	101"	32"	71"	SI-2408	3,015.00	SI-2408SS	3,144.00

Optional: Variable speed, 0-54 F.P.M. includes SCR Control and 1/4H.P. DC Motor (Factory Installed Only) ..... \$200.00  
 Add "VS" to conveyor model number.



### PLASTIC PROCESS EQUIPMENT, INC.

www.ppe.com • e-mail: sales@ppe.com

**PPE WEST** 6385 Montessouri Street, Las Vegas, Nevada 89113  
 702-433-6385 • 800-258-8877 • Fax: 702-433-6388

**PPE SOUTH** 11218 Challenger Avenue, Odessa, Florida 33556  
 727-834-8888 • 800-282-6783 • Fax: 727-834-8873

8303 CORPORATE PARK DRIVE, MACEDONIA (Cleveland), OHIO 44056, USA

Toll Free: USA, Canada & Mexico  
**800-362-0706**

**PPE** 216-367-7000 • Toll Free: 800-321-0562 • Fax: 216-367-7022 • Order Fax: 800-223-8305