

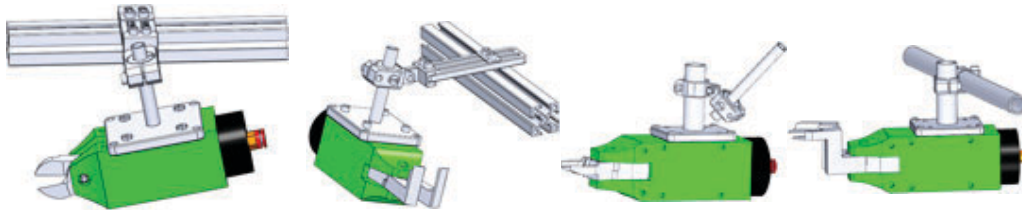
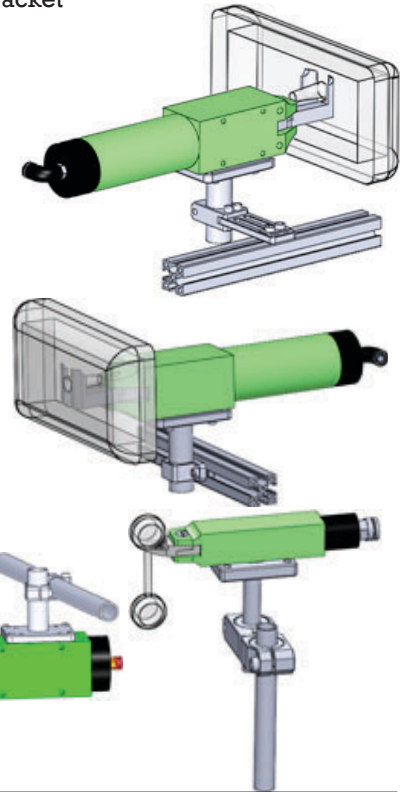


MS & MSP Square Nippers

*** It can be attached TS-564 silicone or TP-564 PU tube match with MSB-10-10/0 or MSB-2030-10/20 nipper mounting bracket

MS & MSP - Nipper Bodies

Part#	ΦCut	Air Port	Cutting Pressure	Weight	Air Pressure	Nile Reference	Price
MS-3	1.0mm	PT1/8	57lbf	100g	57~85psi	MS3	\$159.60
MS-3A	2.0mm	PT1/8	88lbf	130g	57~85psi		\$176.48
MS-5	2.0mm	PT1/8	88lbf	160g	57~85psi	MS5	\$159.60
MS-10	4.0mm	PT1/4	132lbf	260g	71~85psi	MS10	\$159.60
MS-20	7.0mm	PT1/4	308lbf	430g	71~85psi	MS20	\$191.78
MS-30	10.0mm	PT1/4	617lbf	810g	71~85psi	MS30	\$244.33
MSP-20	7.0mm	PT1/4	525lbf	650g	71~85psi	MSP20	\$258.84
MSP-30	13.0mm	PT1/4	1058lbf	1220g	71~85psi	MSP30	\$338.81

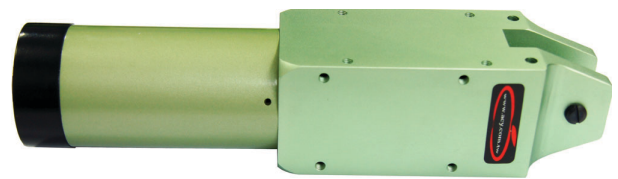


MS & MSP - Nipper Body Dimensions

Part#	A	B	C	D	E	F	G	H	I	J	K	L	M	N	O	P	Q	R
MS-3	89	20	40	19	24	16	14	21	14	M3x6	M3x6	3.3	20	7	7	-	-	71
MS-3A	89	20	40	19	24	16	14	20	14	M3x6	M3x6	3.3	20	7	7	-	-	71
MS-5	74	30	30	14	19	24	20	20	20	M4x10	M3x6	4.3	20	7	7	-	-	55
MS-10	93	36	30	18	23	28	28	20	24	M4x10	M4x6	4.3	20	9	7	-	-	65
MS-20	109	45	40	19	24	36	30	20	30	M5x12	M4x8	5.3	26	12	9	-	-	81
MS-30	150	56	60	20	30	46	40	20	40	M6x12	M5x11	5.3	36	17	15	-	-	110
MSP-20	109	45	40	19	24	36	30	20	30	M5x12	M4x8	5.3	26	12	9	87	45	81
MSP-30	150	56	60	20	30	46	40	20	40	M6x12	M5x11	5.3	36	17	15	92	56	110



MS Type



MSP Type (Heavy-Duty)

