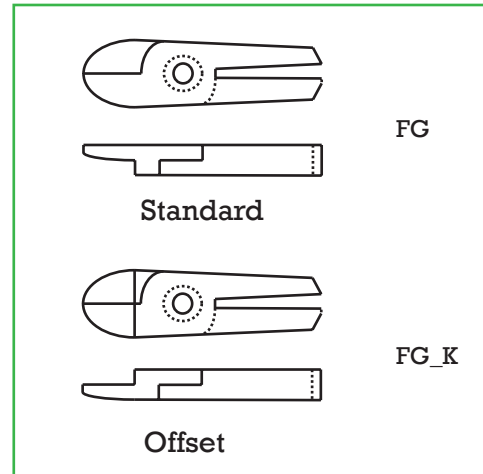




# Blades for GM Sliding Nippers

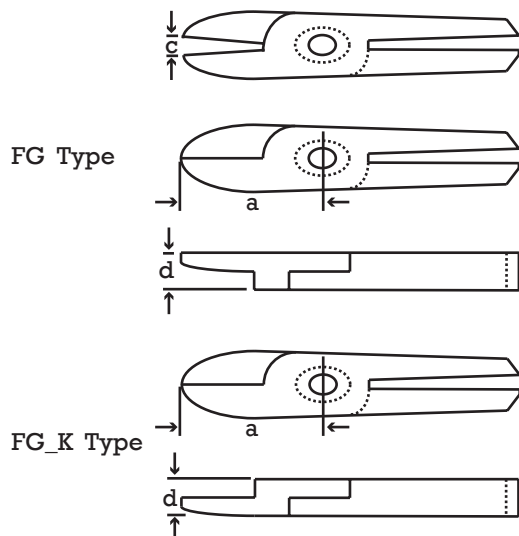
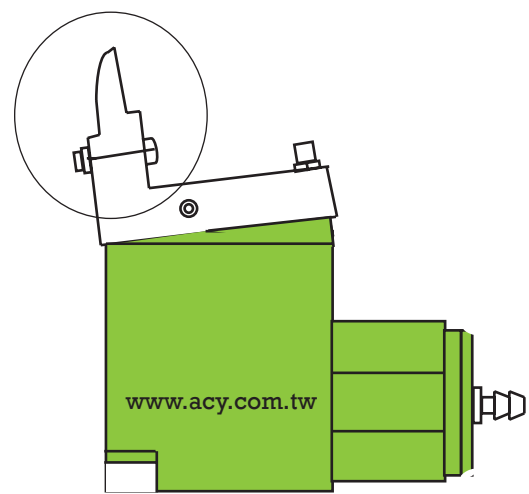
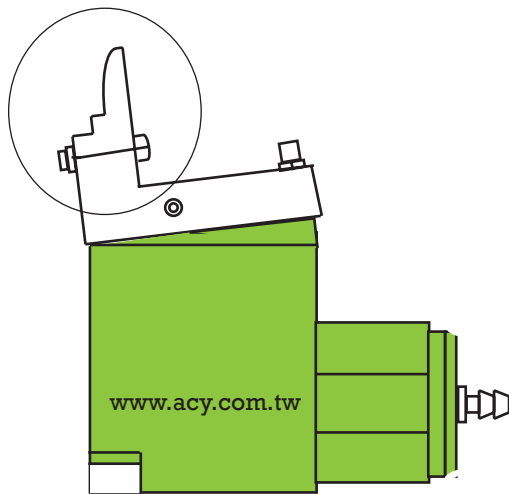
\*\*\* It can be attached TS-564 silicone or TP-564 PU tube

Part#	Nipper body	Blade Type	Price
FG10	GM-3	Standard	\$58.47
FG10K		Offset	\$59.80
FG3	GM-10	Standard	\$59.80
FG3K		Offset	\$59.80
FG5	GM-20	Standard	\$69.53
FG5K		Offset	\$69.53



Standard Blade

Offset Blade



(mm)

Part#	a	c	d
FG10	24	4.0	7.0
FG10K	24	4.0	7.0
FG3	27	7.0	9.0
FG3K	27	7.0	9.0
FG5	34	8.0	12.0
FG5K	34	8.0	12.0



**PLASTIC PROCESS EQUIPMENT, INC.**

www.ppe.com • e-mail: sales@ppe.com

**PPE WEST** 6385 Montessouri Street, Las Vegas, Nevada 89113  
702-433-6385 • 800-258-8877 • Fax: 702-433-6388

**PPE SOUTH** 11218 Challenger Avenue, Odessa, Florida 33556  
727-834-8888 • 800-282-6783 • Fax: 727-834-8873

**PPE** 8303 CORPORATE PARK DRIVE, MACEDONIA (Cleveland), OHIO 44056, USA  
216-367-7000 • Toll Free: 800-321-0562 • Fax: 216-367-7022 • Order Fax: 800-223-8305

Toll Free: USA, Canada & Mexico  
**800-362-0706**