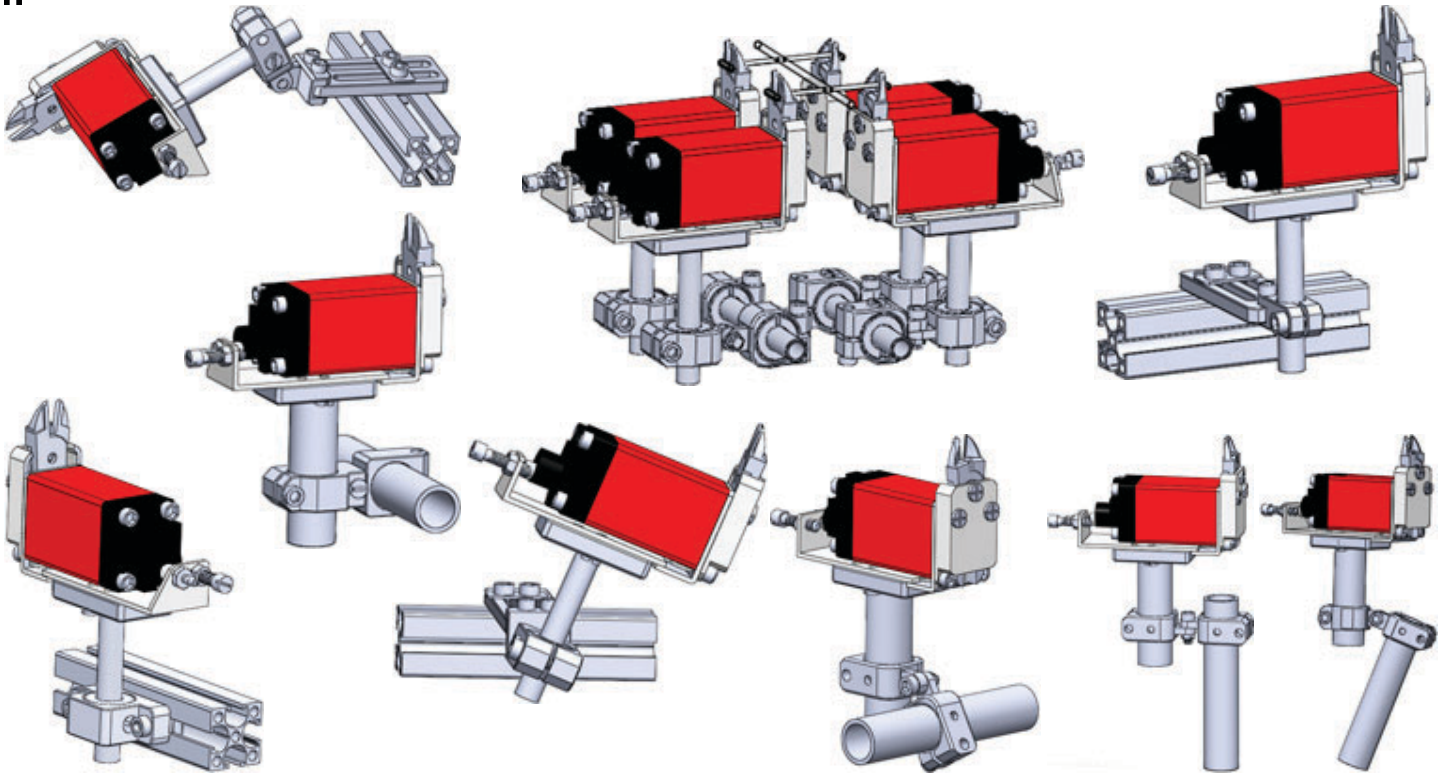




QW Sliding Nippers

*** It can be attached TS-564 silicone or TP-564 PU tube match with QWB-102035-10/20 nipper mounting bracket



QW-10 (Without Blade)

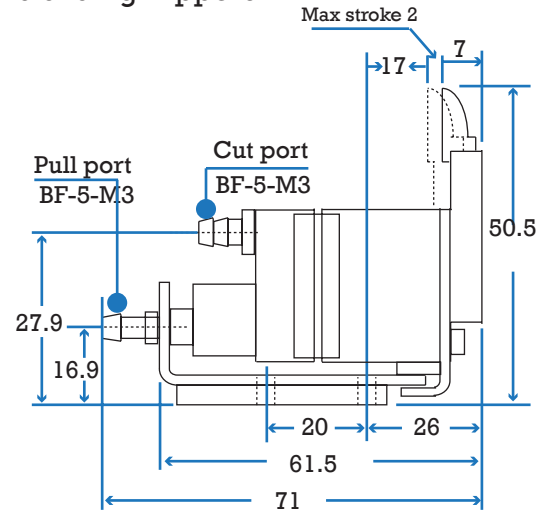
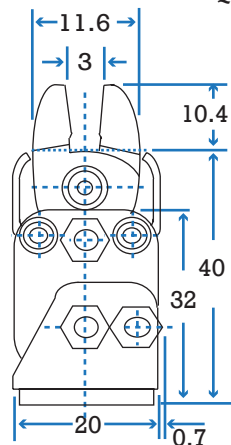
Weight: 110g

Cutting Capacity : $\phi 1.7\text{mm}$



Nipper body	Price
QW-10	\$238.85

QW-10 Sliding Nippers

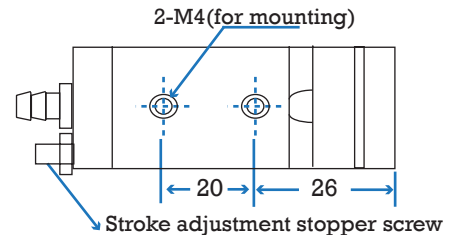
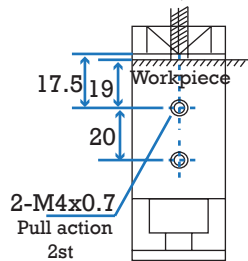


WG-100 (Standard Blade - Fitting QW-10)



Blade	Price
WG-100	\$131.81

Position & mounting dimensions (QW-10)



PLASTIC PROCESS EQUIPMENT, INC.

6385 Montessouri Street, Las Vegas, Nevada 89113
702-433-6385 • 800-258-8877 • Fax: 702-433-6388

11218 Challenger Avenue, Odessa, Florida 33556
727-834-8888 • 800-282-6783 • Fax: 727-834-8873

8303 CORPORATE PARK DRIVE, MACEDONIA (Cleveland), OHIO 44056, USA

216-367-7000 • Toll Free: 800-321-0562 • Fax: 216-367-7022 • Order Fax: 800-223-8305

www.ppe.com • e-mail: sales@ppe.com

Toll Free: USA, Canada & Mexico
800-362-0706