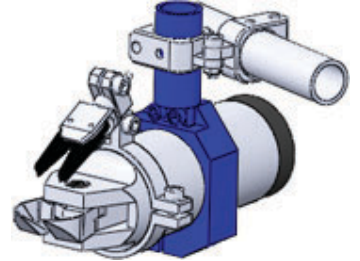
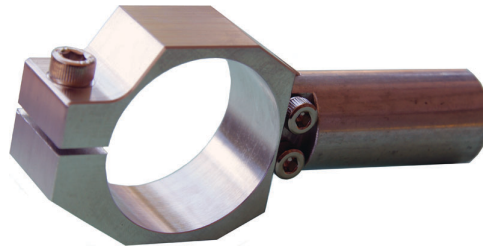
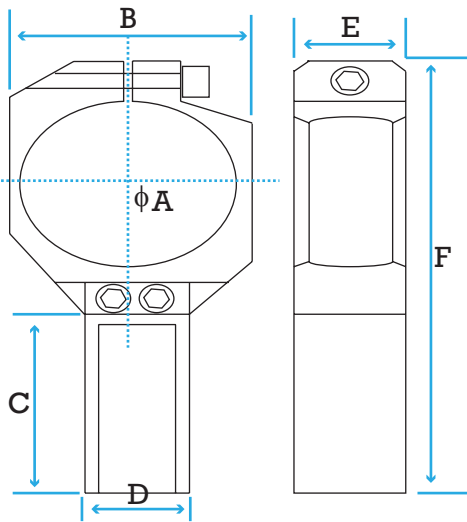




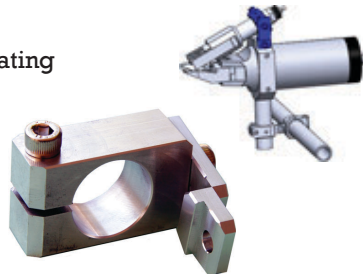
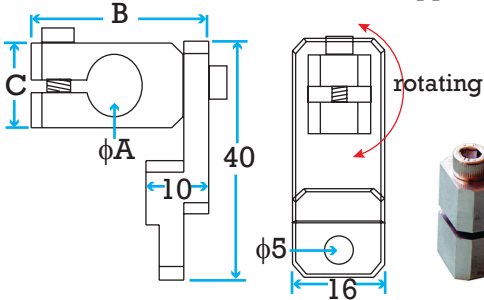
Nipper & Gripper Mounting Brackets

Nipper Mounting Brackets for HS-M Round Nippers

Part#	A	B	C	D	E	F	Wt.	Mounting Nipper Body	Price
MB-05	30	40	62	20	20	112	55g	HS-05M	\$37.15
MB-10	36	44	42	20	20	97	62g	HS-10M	\$38.92
MB-20	45	50	42	20	20	107	82g	HS-20M/HS-25MP	\$41.58
MB-30	56	64	42	20	20	118	89g	HS-30M/HS-35MP	\$46.00
MB-50	75	85	62	20	25	161	115g	HS-50M/HS-50FM HS-55MP	\$72.54



*** It is attached with MB Nipper mounting bracket for HS-M round nipper use

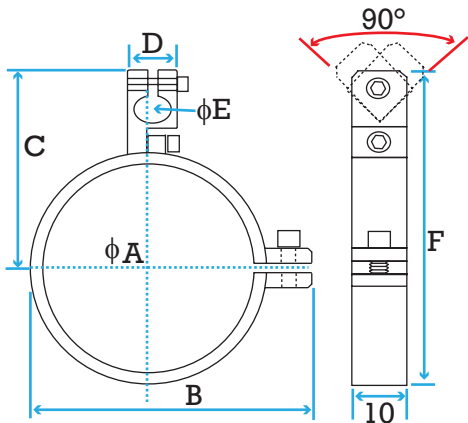


Gripper Mounting Bracket

Part#	A	B	C	Wt.	Mounting Sprue Gripper	Price
SGB-10	10	34	14	22g	SGMO-1012 SGMO-1015/1015S SGMI-10/SG-10-A SG-101-106	\$23.00
SGB-20	20	44	24	36g	SG-20-A	\$24.06

*** E=10 for Micro & Mini model sprue gripper
E=20 for Large model sprue gripper only

Gripper Mounting Brackets for HS-M Round Nipper and Sprue Gripper Micro, Mini, Large models



Part#	A	B	C	D	E	F	Wt.	Mounting Nipper Body	Price
SGM-2010	45	61.5	56.5	10	10	83	35g	HS-20M/HS-25MP	\$58.38
SGM-3010	56	72.5	62	10	10	94	38g	HS-30M/HS-35MP	\$75.19
SGM-5010	75	92	72.5	10	10	114	45g	HS-50M/HS-50FM/HS-55MP	\$79.62
SGM-2020	45	61.5	79	25	20	103.5	38g	HS-20M/HS-25MP	\$61.92
SGM-3020	56	72.5	84.5	25	20	114.5	41g	HS-30M/HS-35MP	\$79.62
SGM-5020	75	92	95	25	20	134.5	48g	HS-50M/HS-50FM/HS-55MP	\$84.92

Application Examples

