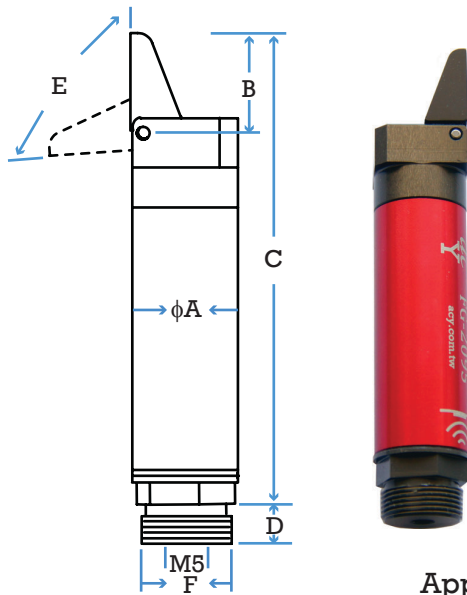




Finger Grippers

95 degree Finger Gripper

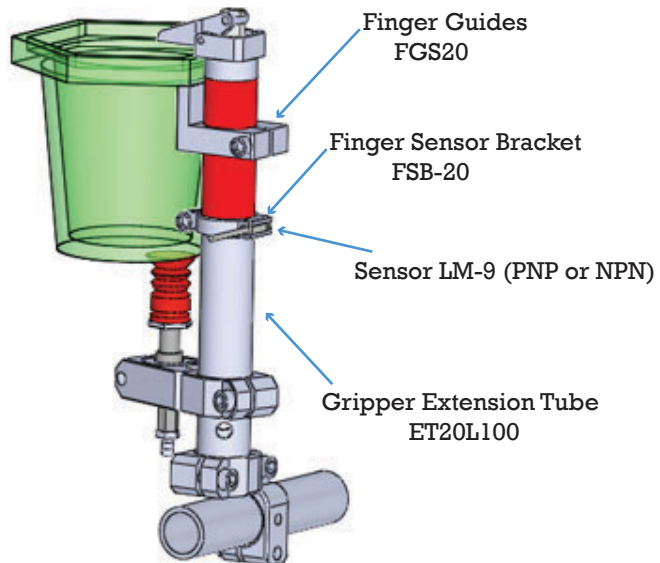
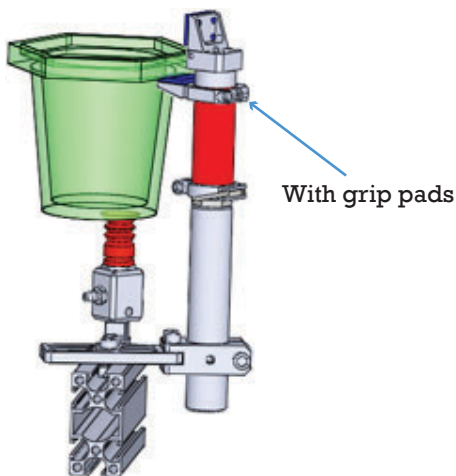


*** It can attached BF-6, BF-5 M5 male barbed fitting or M5 male connector push-in air fitting & mounting by swivel cross clamp, angle clamp, swivel angle clamp, angle arm, elbow arm, spring loaded elbow arm, finger guide, sensor finger bracket, gripper extension tube

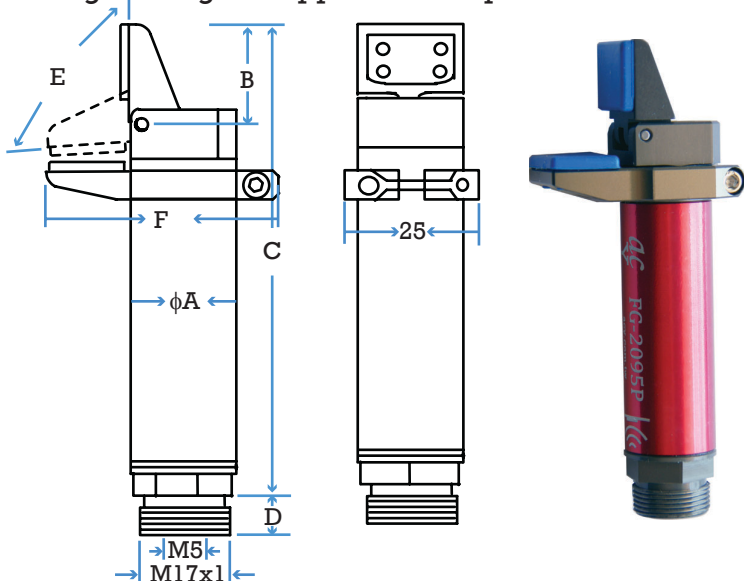
Part#	A	B	C	D	E	F	Wt.	Price
FG-1495	14	14	68	6	95°	M12x1	23g	\$123.85
FG-2095	20	20	93	8	95°	M17x1	60g	\$132.69

1. Features a magnetic piston
2. Use optional finger sensor bracket, LM-9 NPN or PNP sensor, finger guide, and gripper extension bracket
3. Maximum air pressure is 87 psi (6 bar)
4. Use dry and filtered air only
5. The ideal for gripping plastic part when it can't grip by vacuum cup or others.

Application Examples



95 degree Finger Gripper with Grip Pads



Part#	A	B	C	D	E	F	Wt.	Price
FG-2095P	20	20	93	8	95°	44	80g	\$185.77

1. Features a magnetic piston
2. With rubber pads
3. Use optional finger sensor bracket, LM-9 NPN or PNP sensor and gripper extension bracket
4. Maximum air pressure is 87 psi (6 bar)
5. Use dry and filtered air only



PLASTIC PROCESS EQUIPMENT, INC.

www.ppe.com • e-mail: sales@ppe.com

PPE WEST 6385 Montessouri Street, Las Vegas, Nevada 89113
702-433-6385 • 800-258-8877 • Fax: 702-433-6388

PPE SOUTH 11218 Challenger Avenue, Odessa, Florida 33556
727-834-8888 • 800-282-6783 • Fax: 727-834-8873

8303 CORPORATE PARK DRIVE, MACEDONIA (Cleveland), OHIO 44056, USA
216-367-7000 • Toll Free: 800-321-0562 • Fax: 216-367-7022 • Order Fax: 800-223-8305

Toll Free: USA, Canada & Mexico
800-362-0706