

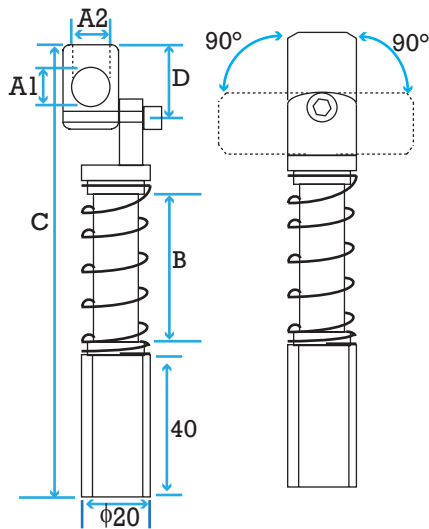


Big Rotating Suspensions

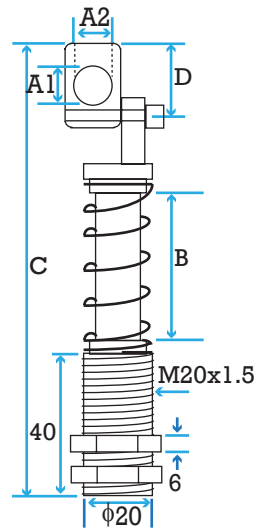
It can mount as follow

- M5, PT1/8 of FM/FP, BM/BP, BG, B2M/B2P series cup-adpater, adapter, push-in air fitting, barbed fitting
- Threaded type mounting with TMB-66/88 heavy angle plate
- Non threaded type mounting with swivel cross clamp, angle clamp, swivel angle clamp, angle arm, elbow arm

Non-threaded type



Threaded type

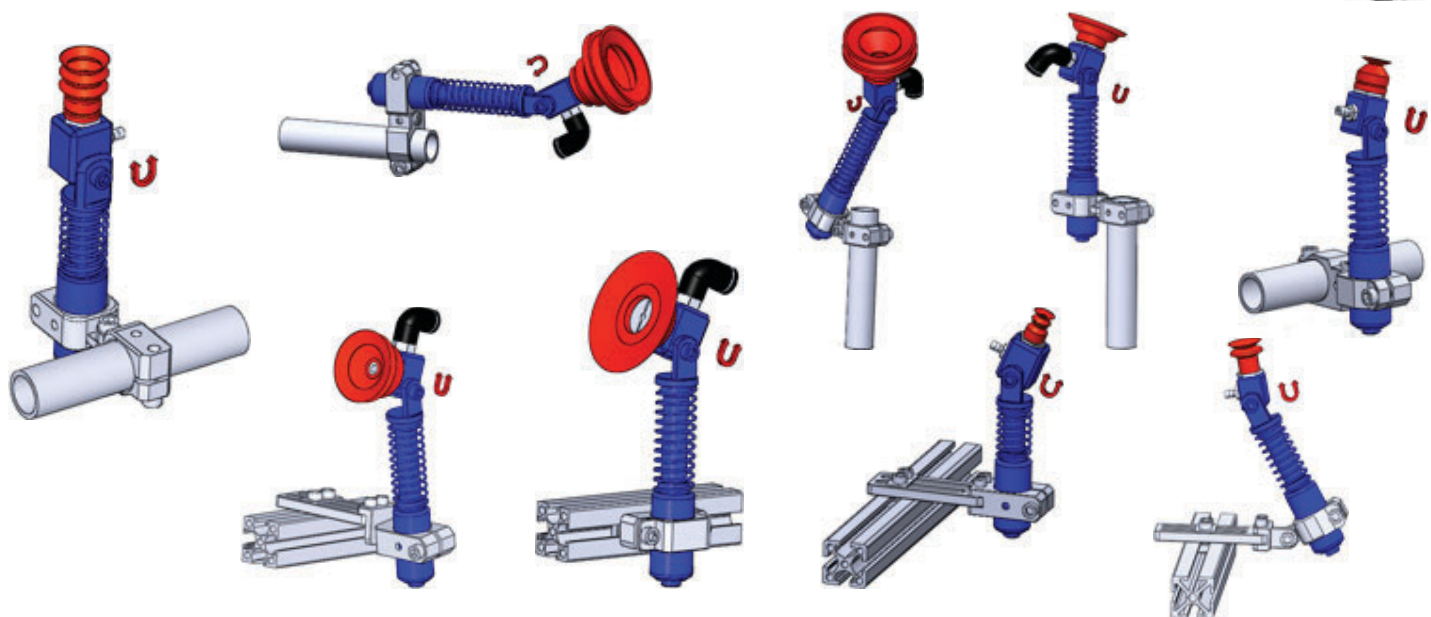
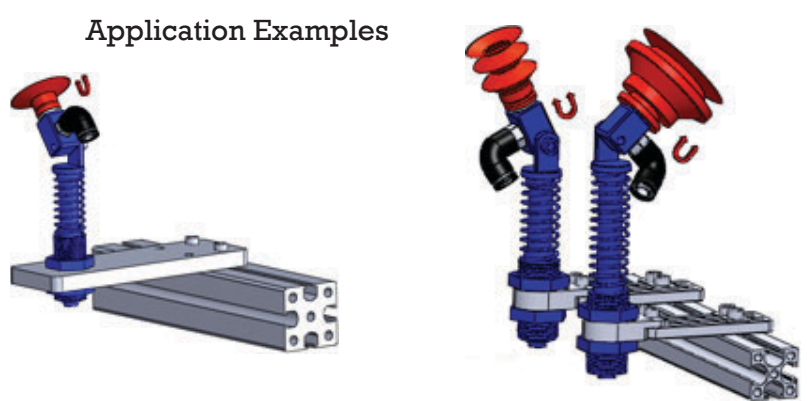


Big Rotating Suspensions - Non-threaded body

Part#	A1	A2	B	C	D	Wt.	Price
RCG-2020-3M5	M5	M5	20	130	14	74g	\$28.31
RCG-2030-3M5	M5	M5	30	140	14	77g	\$30.08
RCG-2040-M5G8	M5	PT1/8	40	150	18	81g	\$31.85
RCG-2050-2G8	PT1/8	PT1/8	50	160	21	90g	\$33.62

Big Rotating Suspensions - Threaded body

Part#	A1	A2	B	C	D	Wt.	Price
RCG-2020S-3M5	M5	M5	20	130	14	95g	\$30.61
RCG-2030S-3M5	M5	M5	30	140	14	98g	\$32.38
RCG-2040S-M5G8	M5	PT1/8	40	150	18	101g	\$34.15
RCG-2050S-2G8	PT1/8	PT1/8	50	160	21	111g	\$36.27



PLASTIC PROCESS EQUIPMENT, INC.

PPE WEST 6385 Montessouri Street, Las Vegas, Nevada 89113
702-433-6385 • 800-258-8877 • Fax: 702-433-6388

PPE SOUTH 11218 Challenger Avenue, Odessa, Florida 33556
727-834-8888 • 800-282-6783 • Fax: 727-834-8873

www.ppe.com • e-mail: sales@ppe.com

8303 CORPORATE PARK DRIVE, MACEDONIA (Cleveland), OHIO 44056, USA
216-367-7000 • Toll Free: 800-321-0562 • Fax: 216-367-7022 • Order Fax: 800-223-8305

Toll Free: USA, Canada & Mexico
800-362-0706