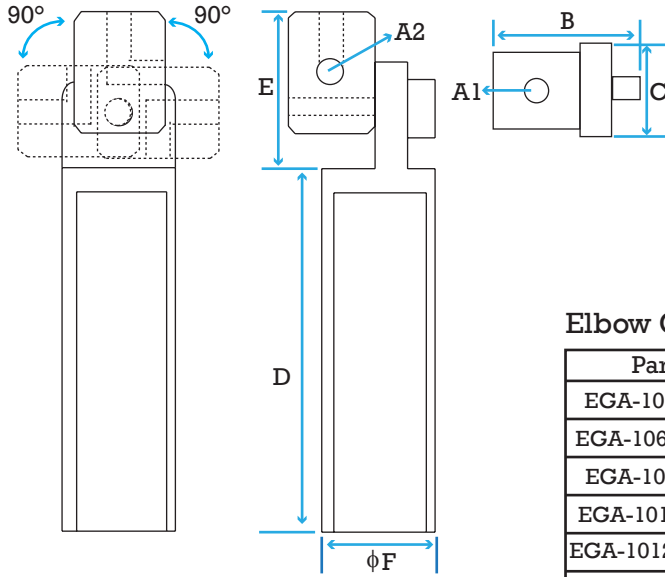




Elbow Gripper Arms

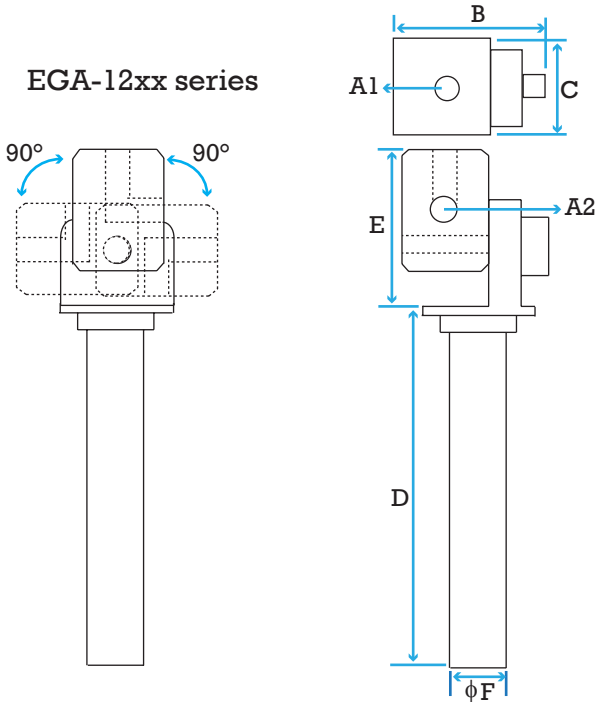
As follow connectors can mount M5, PT1/8 of FM/FP, BM/BP, BG, B2M/B2P series cup-adpater, adapter, push-in air fitting, barbed fitting



Elbow Gripper Arms

Part#	A1	A2	B	C	D	E	F	Wt.	Price
EGA-1060-3M5	M5	M5	29	20	35	27	10	19g	\$18.68
EGA-1060-M5G8	M5	PT1/8	29	20	35	27	10	25g	\$20.19
EGA-1060-2G8	PT1/8	PT1/8	29	20	35	27	10	23g	\$21.67
EGA-10120-3M5	M5	M5	29	20	82	27	10	19g	\$19.67
EGA-10120-M5G8	M5	PT1/8	29	20	82	27	10	24g	\$21.16
EGA-10120-2G8	PT1/8	PT1/8	29	20	82	27	10	30g	\$22.66
EGA-1275-3M5	M5	M5	29	20	71	33	12	41g	\$25.65
EGA-1275-M5G8	M5	PT1/8	29	20	71	33	12	64g	\$25.65
EGA-1275-2G8	PT1/8	PT1/8	29	20	71	33	12	40g	\$26.24
EGA-1285-3M5	M5	M5	29	20	81	33	12	63g	\$26.06
EGA-1285-M5G8	M5	PT1/8	29	20	81	33	12	46g	\$26.06
EGA-1285-2G8	PT1/8	PT1/8	29	20	81	33	12	69g	\$26.63
EGA-1295-3M5	M5	M5	29	20	91	33	12	41g	\$26.26
EGA-1295-M5G8	M5	PT1/8	29	20	91	33	12	40g	\$26.26
EGA-1295-2G8	PT1/8	PT1/8	29	20	91	33	12	46g	\$26.82
EGA-12105-3M5	M5	M5	29	20	101	33	12	43g	\$26.45
EGA-12105-M5G8	M5	PT1/8	29	20	101	33	12	42g	\$26.45
EGA-12105-2G8	PT1/8	PT1/8	29	20	101	33	12	49g	\$27.03
EGA-20100-3M5	M5	M5	31	20	60	31	20	46g	\$24.73
EGA-20100-M5G8	M5	PT1/8	31	20	60	31	20	51g	\$26.11
EGA-20100-2G8	PT1/8	PT1/8	31	20	60	31	20	48g	\$27.55
EGA-20190-3M5	M5	M5	31	20	135	31	20	45g	\$25.65
EGA-20190-M5G8	M5	PT1/8	31	20	135	31	20	49g	\$27.14
EGA-20190-2G8	PT1/8	PT1/8	31	20	135	31	20	54g	\$28.61

EGA-12xx series



Application Examples

