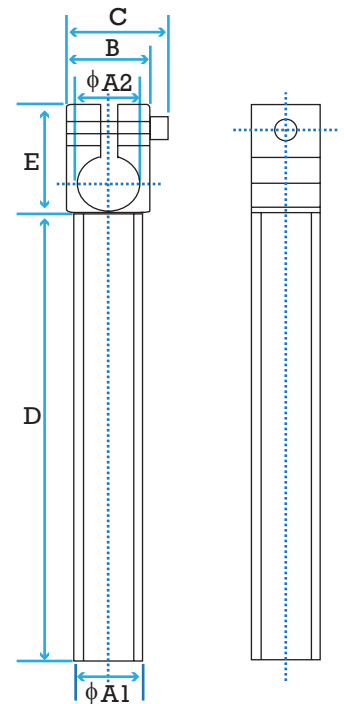
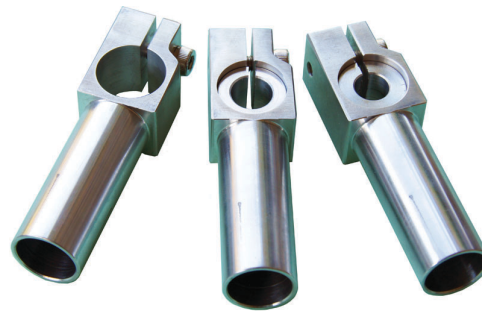




Angle Arms

It can mount as follows:

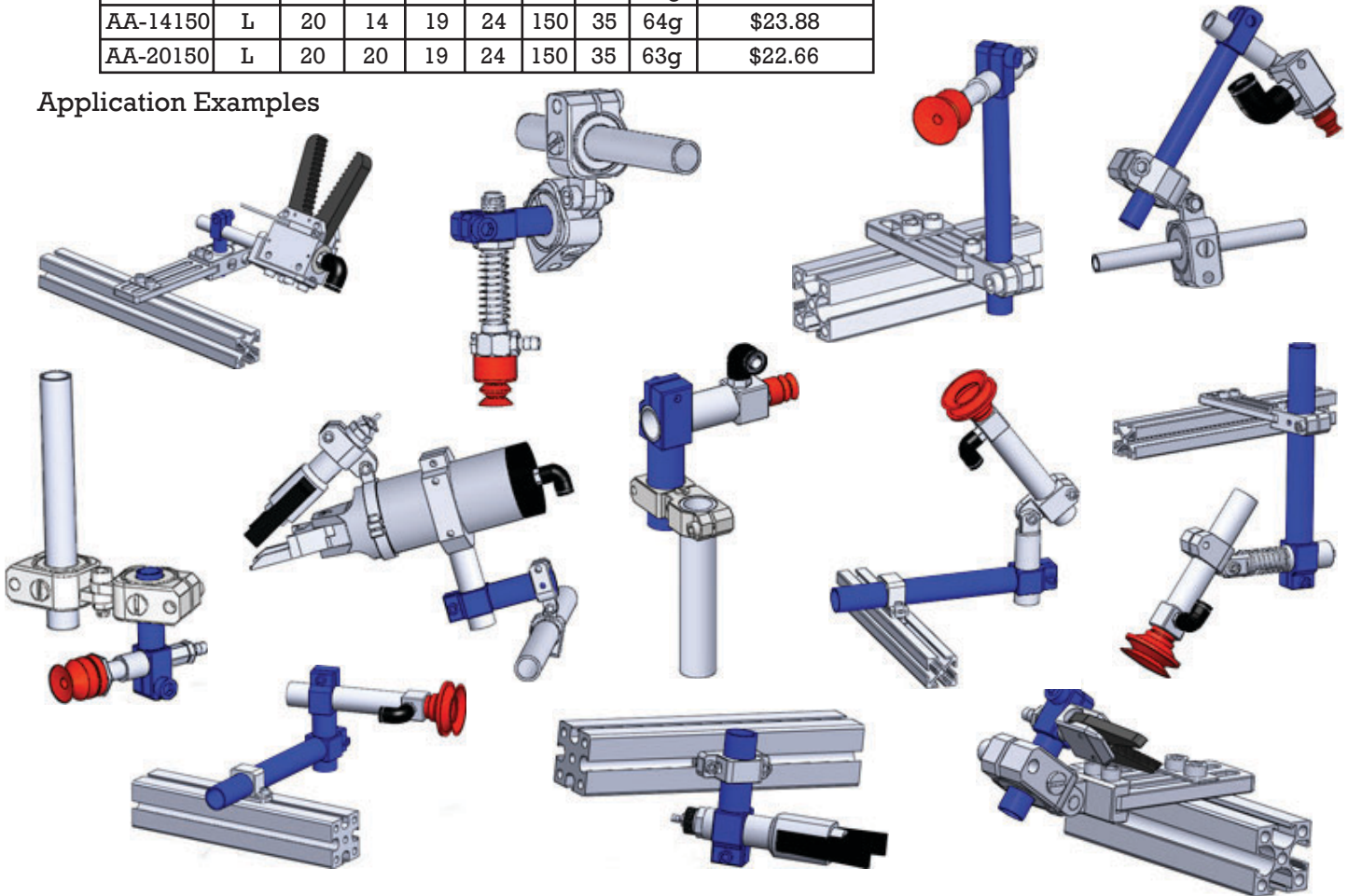
- 1 - 8,10,12,14,20mm tube
- 2 - 10,12,20mm elbow arm, gripper arm, elbow gripper arm, spring loaded elbow arm
- 3 - NCG-1010~30, NCG-2020~50, RCG-2020~50 suspension
- 4 - H6-8-6, H8-8/12-05~30, H9-10/12/20-05~30, HCG-1010~30 series holder
- 5 - MB-05~50, SGLB-2010~20, MSB-10~20, MGB, MEB, QWB, NYB series nipper bracket
- 6 - micro, mini, large sprue gripper, finger gripper



Angle Arms

Part#	Type	A1	A2	B	C	D	E	Wt.	Price
AA-1030	S	10	10	12	17	30	22	10g	\$12.70
AA-1090	L	10	10	12	17	90	22	14g	\$13.59
AA-0850	S	20	8	19	24	50	35	51g	\$18.70
AA-1050	S	20	10	19	24	50	35	50g	\$18.70
AA-1250	S	20	12	19	24	50	35	48g	\$18.70
AA-1450	S	20	14	19	24	50	35	44g	\$18.70
AA-2050	S	20	20	19	24	50	35	40g	\$17.07
AA-08150	L	20	8	19	24	150	35	67g	\$23.88
AA-10150	L	20	10	19	24	150	35	66g	\$23.88
AA-12150	L	20	12	19	24	150	35	65g	\$23.88
AA-14150	L	20	14	19	24	150	35	64g	\$23.88
AA-20150	L	20	20	19	24	150	35	63g	\$22.66

Application Examples



PLASTIC PROCESS EQUIPMENT, INC.

www.ppe.com • e-mail: sales@ppe.com

PPE WEST 6385 Montessouri Street, Las Vegas, Nevada 89113
702-433-6385 • 800-258-8877 • Fax: 702-433-6388

PPE SOUTH 11218 Challenger Avenue, Odessa, Florida 33556
727-834-8888 • 800-282-6783 • Fax: 727-834-8873

8303 CORPORATE PARK DRIVE, MACEDONIA (Cleveland), OHIO 44056, USA

216-367-7000 • Toll Free: 800-321-0562 • Fax: 216-367-7022 • Order Fax: 800-223-8305

Toll Free: USA, Canada & Mexico
800-362-0706