

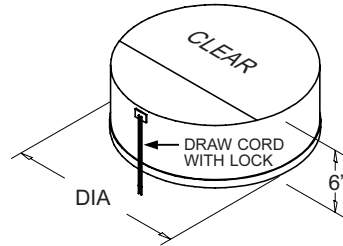


SPECIAL DRUM AND GAYLORD COVER ORDER FORM

FEATURES

- All ports have flat elastic and zipper standard.
- All skirts have flat elastic at bottom.
- Drum Covers have Draw Cord with Lock around skirt included for secure fit.
- Gaylord Covers have 1" strap and clamp around skirt included for positive pressure applications.

ROUND DRUM COVER



DRUM DIA: _____

NUMBER OF PORTS: _____

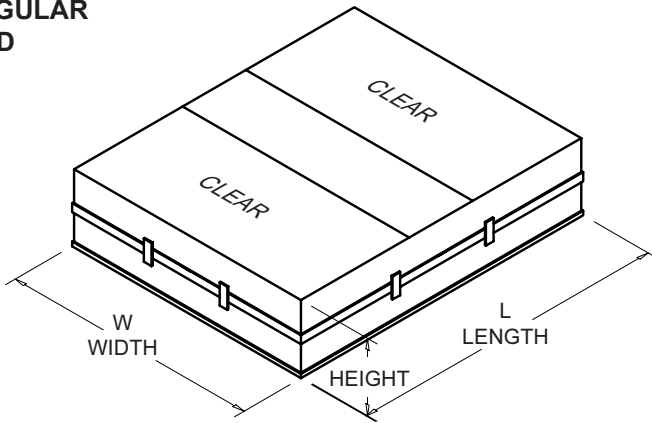
PORT SIZE: _____

PORT LOCATION: MARK ON DRAWING

ORDER QUANTITY: _____

COLOR*: STD. ____ OTHER: _____

RECTANGULAR GAYLORD COVER



SIZE (L x W): _____

HEIGHT: (std 10" to 12") _____

NUMBER OF PORTS: _____

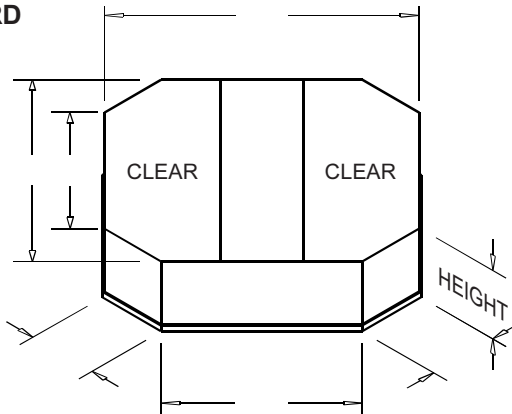
PORT SIZE: _____

PORT LOCATION: MARK ON DRAWING

ORDER QUANTITY: _____

COLOR*: STD. ____ OTHER: _____

OCTAGON GAYLORD COVER



MARK DIMENSIONS ON DRAWING

HEIGHT: (std 10"-12") _____

NUMBER OF PORTS: _____

PORT SIZE: _____

PORT LOCATION: MARK ON DRAWING

ORDER QUANTITY: _____

COLOR*: STD. ____ OTHER: _____

* Custom colors available to special order. Black, blue, green, red or white. Special colors are breathable canvas material. Our standard colors are tan breathable polyester spandex top with black polyester spandex skirt.

COMPANY NAME: _____

YOUR NAME: _____ / SIGNATURE: _____

TELEPHONE: (_____) - _____ - _____ FAX: (_____) - _____ - _____

E-MAIL: _____ PPE SALES PERSON: _____

P.O. #: _____ QUOTE# _____

© Copyright 2022 Plastic Process Equipment, Inc. Note: PPE customers may reproduce this form only in it's entirety.



PLASTIC PROCESS EQUIPMENT, INC.

8303 CORPORATE PARK DRIVE
MACEDONIA, OHIO 44056
216-367-7000 • FAX: 216-367-7022
TOLL FREE: 800-321-0562

6385 MONTESSOURI STREET
LAS VEGAS, NEVADA 89113
702-433-6385 • FAX: 702-433-6388
TOLL FREE: 800-258-8877

www.ppe.com
e-mail: sales@ppe.com

Toll Free: USA, Canada & Mexico
800-362-0706

Order Fax: 800-223-8305