



PNEUMATIC BOX TILTER

FLOOR LEVEL LOADING - 2000 LBS CAPACITY

AUTOMATIC TILTING

MODEL
BT1600



MODEL BT1600

\$1,495.00

**1 YEAR
WARRANTY**
F.O.B. SHIPPING POINT



- FEATURES & SPECIFICATIONS -

- Automatic tilt pressure regulator adjusts air pressure to lifting weight ratio.
- Powder coated paint for more durability and better appearance.
- Size: 44" X 44", floor level entry for fast easy loading.
- Adjustable material pickup probe holder - 35" to 57" above platform.
- Capacity - 2000 lbs.
- Tilt angle - 52°.
- Pivot is 1" sleeve bearing.
- Minor assembly required (due to crating).
- Safety tilt stop (stops at 52°).
- Hand knob On-Off air control operator.
- Operating pressure rating 20 to 40 P.S.I.
**40 P.S.I will lift approximately 800 lbs. 3 inches
- Optional foot pedal operator and vibrator package available.
- Shipping weight, approximately 445 lbs.

**HOW A BOX TILTER FUNCTIONS

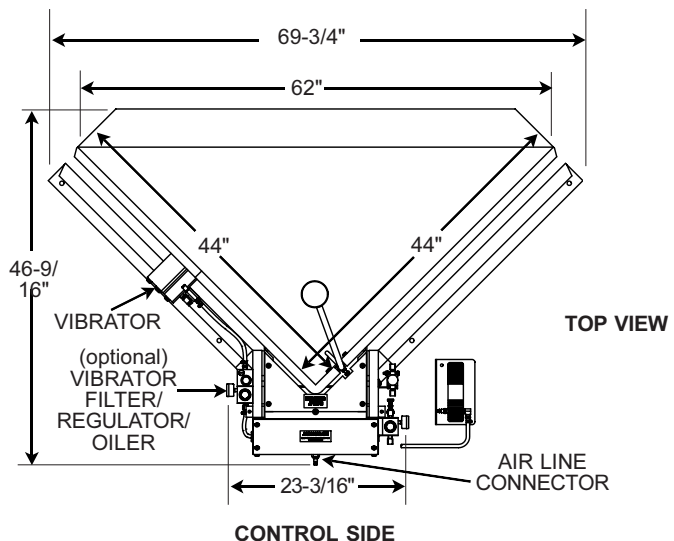
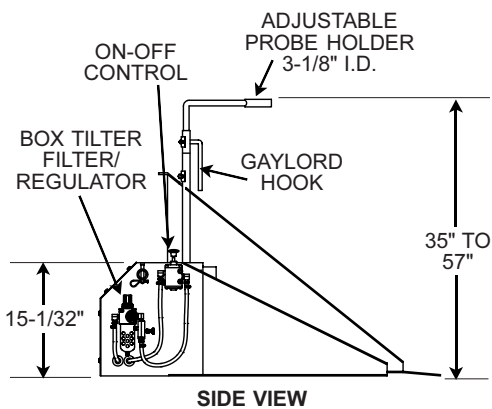
Adjust pressure regulator to a specific setting based on the required lifting weight needed to tilt your box or drum. We suggest 40 psi operating pressure. A continuous pressure automatically lifts the container as it becomes lighter which will shift your material toward your vacuum tube. Tilting is smooth and positive with an air bag device.

FOR GREATER SAFETY

We suggest user installs safety stanchions and chains on the back side of the box tilters opposite the control side.

PART NO.	DESCRIPTION	PRICE EACH
BT1600	Pneumatic Box Tilter w/Standard Controls	\$1,495.00
BT1600FP	Pneumatic Box Tilter w/Foot Pedal Operator	1,710.00
*BT1600VB	Pneumatic Box Tilter w/Vibrator	1,895.00
*BT1600FPVB	Pneumatic Box Tilter w/Foot Pedal & Vibrator	1,995.00

* Vibrator models include an air line oiler to keep vibrator lubricated.



PLASTIC PROCESS EQUIPMENT, INC.

www.ppe.com • e-mail: sales@ppe.com

PPE WEST 6385 Montessouri Street, Las Vegas, Nevada 89113
702-433-6385 • 800-258-8877 • Fax: 702-433-6388

PPE SOUTH 11218 Challenger Avenue, Odessa, Florida 33556
727-834-8888 • 800-282-6783 • Fax: 727-834-8873

8303 CORPORATE PARK DRIVE, MACEDONIA (Cleveland), OHIO 44056, USA

Toll Free: USA, Canada & Mexico
800-362-0706

216-367-7000 • Toll Free: 800-321-0562 • Fax: 216-367-7022 • Order Fax: 800-223-8305