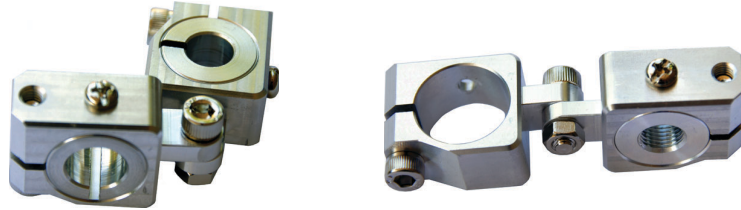




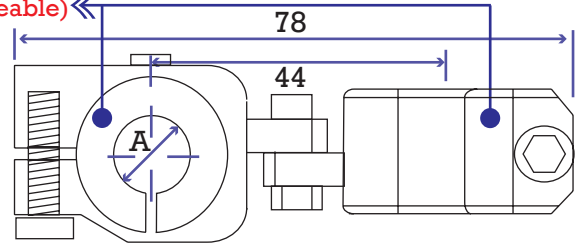
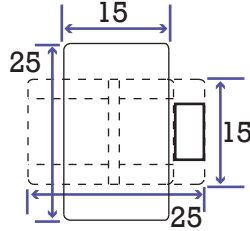
Mounting Clamps - Swivel Cross Clamps

It can mount as follow

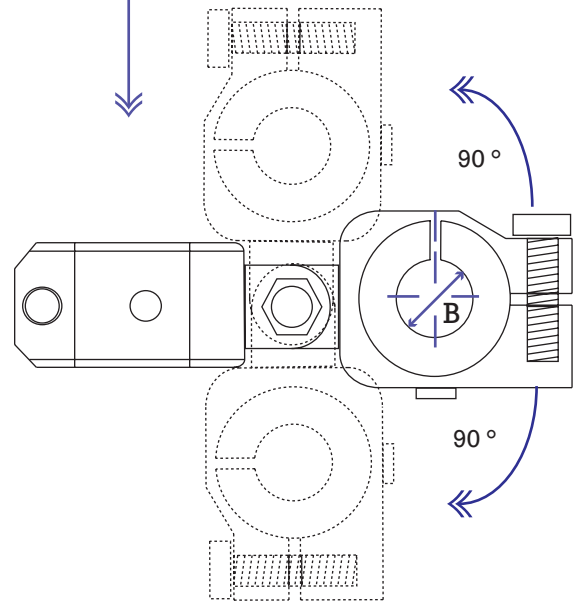
- 1 - 8,10,12,14,20mm tube
- 2 - 10,12,14 & 20mm gripper mounting arm
- 3 - NCG-1010~30, NCG-1010S~30S,
NCG-2020~50, RCG-2020~50 suspension
- 4 - H6-8-6, H8-8/12-05~30, H9-10/12/20-05~30,
HCG-1010~30 series holder
- 5 - MB-05~50, SGLB-2010~20, MSB-10~20,
MGB, MEB, QWB, NYB series nipper bracket
- 6 - micro, mini, large sprue gripper, finger gripper
- 7 - H0, H3, H4, HCG-1010S~30S series holder



(Clamping Tube Size Changeable) ←



(After Changed Clamping Tube Direction)



X-Cross Swivel & Tube Changeable Cross Clamp

Part#	A	B	Wt.	Price
TCCS-0808	φ8	φ8	63g	\$24.72
TCCS-1010	φ10	φ10	61g	\$24.72
TCCS-1212	φ12	φ12	59g	\$24.72
TCCS-1414	φ14	φ14	57g	\$24.72
TCCS-2020	φ20	φ20	42g	\$21.69
TCCS-1008	φ10	φ8	62g	\$24.72
TCCS-1208	φ12	φ8	61g	\$24.72
TCCS-1408	φ14	φ8	59g	\$24.72
TCCS-2008	φ20	φ8	53g	\$23.19
TCCS-1210	φ12	φ10	60g	\$24.72
TCCS-1410	φ14	φ10	58g	\$24.72
TCCS-2010	φ20	φ10	52g	\$24.72
TCCS-1412	φ14	φ12	58g	\$24.72
TCCS-2012	φ20	φ12	51g	\$23.19
TCCS-2014	φ20	φ14	50g	\$23.19
TCCS-08M10	φ8	M10	63g	\$27.03
TCCS-08M12	φ8	M12	62g	\$27.03
TCCS-10M10	φ10	M10	62g	\$27.03
TCCS-10M12	φ10	M12	60g	\$27.03
TCCS-12M10	φ12	M10	60g	\$27.03
TCCS-12M12	φ12	M12	60g	\$27.03
TCCS-14M10	φ14	M10	60g	\$27.03
TCCS-14M12	φ14	M12	59g	\$27.03
TCCS-20M10	φ20	M10	52g	\$25.88
TCCS-20M12	φ20	M12	51g	\$25.88

Application Examples

↻ Rotating 180°

