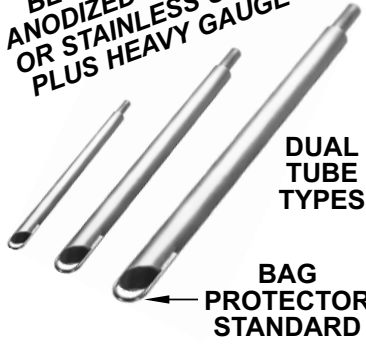




HOPPER LOADER PROBES PICK-UP WANDS

THE BETTER PROBES OR STAINLESS STEEL PLUS HEAVY GAUGE



DUAL TUBE TYPES

BAG PROTECTOR STANDARD

| INLET O.D. | BODY O.D. | MATERIAL | 24" LONG | | 36" LONG | | 48" LONG | |
|------------|-----------|-----------|----------|---------|----------|---------|----------|---------|
| | | | PART NO. | PRICE | PART NO. | PRICE | PART NO. | PRICE |
| 1" | 1-3/4" | ALUMINUM | D8677 | \$70.50 | D7209 | \$73.25 | D8678 | \$99.75 |
| 1" | 1-3/4" | STAINLESS | SD8677 | 86.75 | SD7209 | 98.25 | SD8678 | 144.50 |
| 1-1/4" | 2" | ALUMINUM | D8676 | 71.25 | D3263 | 58.00 | D8543 | 91.00 |
| 1-1/4" | 2" | STAINLESS | SD8676 | 89.50 | SD3263 | 107.75 | SD8543 | 141.00 |
| 1-1/2" | 2-1/4" | ALUMINUM | D8679 | 71.75 | D7210 | 80.35 | D8544 | 93.00 |
| 1-1/2" | 2-1/4" | STAINLESS | SD8679 | 107.75 | SD7210 | 136.50 | SD8544 | 142.00 |
| 1-1/2" | 2-1/2" | ALUMINUM | | | D11173 | 93.00 | | |
| 1-3/4" | 2-1/2" | ALUMINUM | | | D10061 | 80.25 | D10080 | 108.80 |
| 2" | 2-3/4" | ALUMINUM | | | D9502 | 90.50 | D11119 | 111.00 |
| 2-1/2" | 3-1/4" | ALUMINUM | | | | | D11120 | 122.30 |
| 3" | 4" | ALUMINUM | | | | | D11121 | 143.00 |
| 3-1/2" | 4-1/2" | ALUMINUM | | | | | D11122 | 170.00 |

SINGLE TUBE LOADER PROBES

BAG PROTECTOR STANDARD



TO REDUCE SUCTION SIMPLY DRILL A HOLE IN SUCTION TUBE NEAR THE TOP.

| SIZE O.D. X LENGTH | MATERIAL | PART NO. | PRICE | MATERIAL | PART NO. | PRICE |
|--------------------|----------|----------|---------|-----------|----------|---------|
| 1-1/4" x 48" | ALUMINUM | AL11448 | \$49.00 | STAINLESS | SS11448 | \$56.00 |
| 1-1/2" x 48" | ALUMINUM | AL11248 | 55.00 | STAINLESS | SS11248 | 62.00 |
| 2" x 48" | ALUMINUM | AL20048 | 62.00 | STAINLESS | SS20048 | 79.00 |
| 2-1/2" x 48" | ALUMINUM | AL21248 | 70.00 | STAINLESS | SS21248 | 80.00 |
| 3" x 48" | ALUMINUM | AL30048 | 76.00 | STAINLESS | SS30048 | 97.00 |



- 48" LENGTH O.A.
- ANODIZED ALUMINUM OR STAINLESS STEEL
- WITH BAG PROTECTOR
- ALL IN STOCK

Aluminum = 6061-T6



BULLET MAGNETS 5 MODELS

SUPER POWER - RARE EARTH MAGNETS FOR JUST-IN-TIME LOADERS



FEATURES & BENEFITS

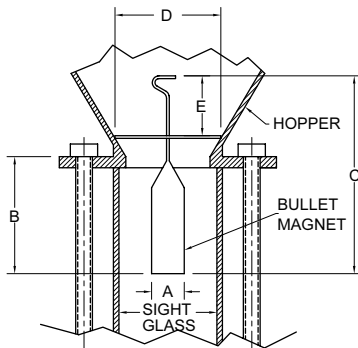
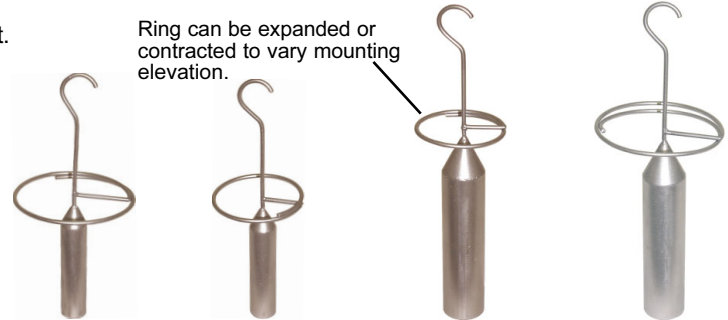
- Longer lengths for more magnetic surface area.
- Two magnet diameters, 1 inch & 5/8 inch.
- Five sizes to fit most sight glass throats.
- Sealed welded construction.
- Super power rare earth magnet.

The PPE Bullet Magnets are Super Power Rare Earth (Neodymium-Iron-Boron) Cartridges welded to a stainless steel wire ring. They are designed to be suspended in the center of the sight glass tube of your hopper loader to catch and hold tramp ferrous metals. This position allows you to inspect the magnet for metal build-up. The magnet will not interfere with your proximity level control switch. The stainless ring can be bent to suit your required diameter for the correct suspension height.

Ring can be expanded or contracted to vary mounting elevation.



THE BETTER BULLET MAGNETS



Model 200115 Fits PPE Venturi Loader

| PART NO. | DIMENSIONS | | | | | PRICE EACH |
|----------|------------|------------|----------|----------|--------|------------|
| | "A" DIA. | "B" LENGTH | "C" O.A. | "D" RING | "E" | |
| 200115 | 1" | 3" | 9-1/2" | 4-3/8" | --- | \$120.00 |
| 200116 | 1" | 4-1/2" | 8" | 2-1/2" | 3" | 125.00 |
| 200117 | 1" | 4-1/2" | 8" | 1-3/4" | 3" | 125.00 |
| 200118 | 5/8" | 2-7/8" | 6-1/8" | 1-3/4" | 2-3/4" | 78.00 |
| 200119 | 5/8" | 2-7/8" | 6-1/8" | 2-1/2" | 2-3/4" | 78.00 |



PLASTIC PROCESS EQUIPMENT, INC.

6385 Montessouri Street, Las Vegas, Nevada 89113
702-433-6385 • 800-258-8877 • Fax: 702-433-6388

11218 Challenger Avenue, Odessa, Florida 33556
727-834-8888 • 800-282-6783 • Fax: 727-834-8873

8303 CORPORATE PARK DRIVE, MACEDONIA (Cleveland), OHIO 44056, USA

www.ppe.com • e-mail: sales@ppe.com

216-367-7000 • Toll Free: 800-321-0562 • Fax: 216-367-7022 • Order Fax: 800-223-8305

Toll Free: USA, Canada & Mexico
800-362-0706