



# THE PNEUVAC™ DEEP HOLE GUN

WORKS OFF YOUR SHOP AIR SUPPLY



1-1/4" O.D.

LARGE NOZZLE VACUUMS

TUBE BLOWS AIR

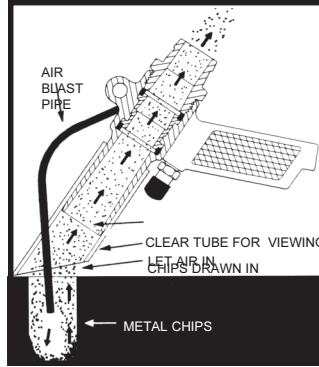
MODEL BV49010

Price **\$121.50** ea.

(see previous page for accessories.)

## For removing chips from blind holes up to 18" deep

The PPE PneuVac Deep Hole Air Gun is ideally suited for cleaning holes up to 18" deep. This tool is unique in that it acts simultaneously as an air gun and a vacuum. The thin black tube blasts high pressure air to dislodge particles while the main nozzle draws them safely away. This system is superior to standard air guns because it keeps chips from being blown into other holes. A clear plastic shroud allows the operator to see when the hole has been cleaned and also protects him from flying debris.



This cutaway view of the deep hole gun shows how metal chips are blown and vacuumed simultaneously.



Cleaning chips out of a fixture base is one of the numerous uses for the deep hole air gun.

# THE PNEUVAC™ AIR PUMP

## For fixed and continuous installations in conveying or cooling/drying tasks

**ISO-9001**

MANUFACTURED IN A QUALITY SYSTEM CERTIFIED FACILITY.

The PPE PneuVac Air Pump is commonly used for:

- Removing parts from punch presses.
- Transporting small items to assembly areas.
- Quality control/inspection applications.
- Loading plastic pellets into injection molding machine hoppers.



1-1/4" O.D.

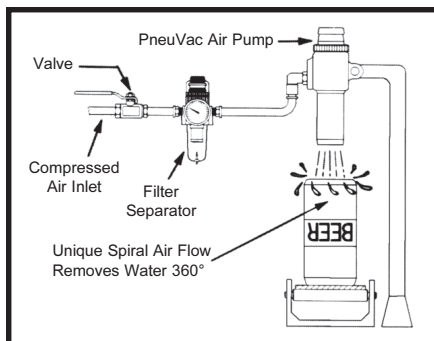
MODEL BV49015

Price **\$108.75** ea.

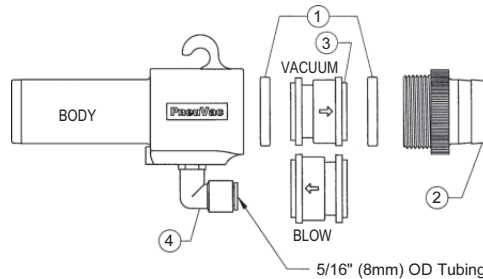
The PPE PneuVac Air Pump is very similar in design to the PneuVac Air Gun with the exception of its mounting characteristics. While the PneuVac is a hand-held unit, the air pump is designed for fixed mounting. This feature makes it especially useful for conveying and cooling/drying applications. Several units can be mounted in line for added efficiency.

The air pump can be used in place of the PneuVac air gun wherever fixed mounting is desired.

The air pump's Venturi can be reversed to alternate between blowing and vacuuming applications.

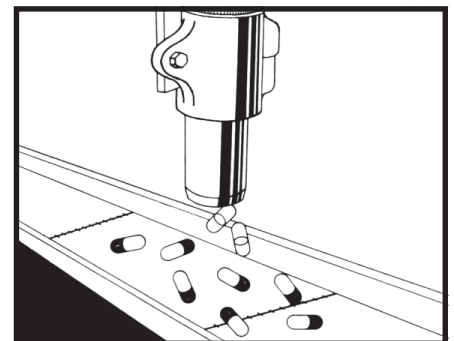


Drying soft drink cans prior to batch coding is among the many uses for the air pump.



### SPARE PARTS

Item	Part No.	Description	Price
1	BV48420	O-Ring	\$9.00 ea.
2	BV48450	End Cap	\$18.00 ea.
3	BV48430	Venturi	\$32.15 ea.
4	KQ2L08-01	Male Elbow	See Air Fittings



A major pharmaceutical company uses the air pump to sort out underweight capsules.



## PLASTIC PROCESS EQUIPMENT, INC.

8303 CORPORATE PARK DRIVE  
MACEDONIA, OHIO 44056-2300  
216-367-7000 • FAX: 216-367-7022  
TOLL FREE: 800-321-0562

6385 MONTESSOURI STREET  
LAS VEGAS, NEVADA 89113-1186  
702-433-6385 • FAX: 702-433-6388  
TOLL FREE: 800-258-8877

www.ppe.com

e-mail: sales@ppe.com

Toll Free: USA, Canada & Mexico

**800-362-0706**

Order Fax: 800-223-8305