

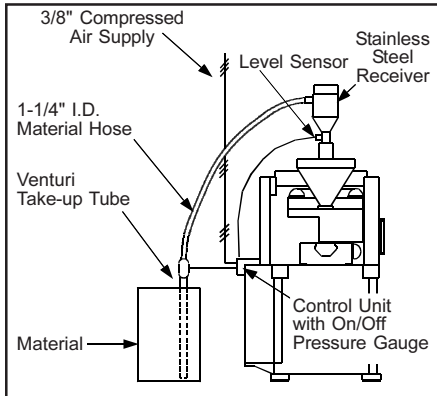


INSTALLATION & PARTS FOR OLD STYLE OPTI-TEMP MODELS

ISO 9001

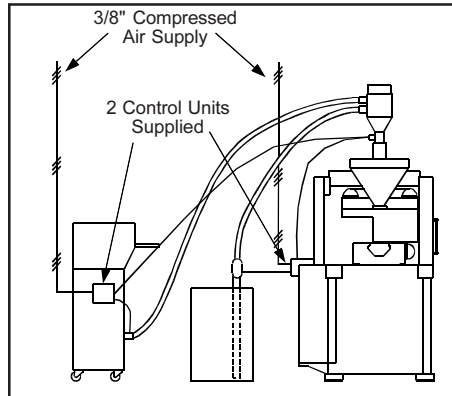
MANUFACTURED IN A
QUALITY SYSTEM CERTIFIED
FACILITY.

SINGLE MATERIAL MODEL MACHINE HOPPER MOUNT



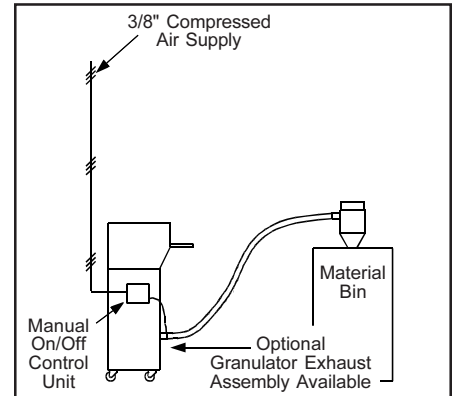
Standard Virgin Material Model illustrated. Can be hopper mounted or directly on machine feed throat for just in time material supply.

DUAL MATERIAL MODEL VIRGIN AND REGRIND



Dual Entry Virgin/Regrind Model illustrated. Unit will convey virgin and regrind simultaneously thus better mixing is provided.

SINGLE MODEL GRANULATOR EVACUATION



Granulator Evacuation Model illustrated. Can be hopper or drum mounted.

Sight Glass allows visibility at the throat for just in time material feeding. Also allows Proximity Switch to sense through the glass.



Sight Glass only.
2-1/2" O.D. x 6" Long
Part No. **200101**
Price **\$58.00** ea.

Aluminum Sight Glass
Assembly as shown.
Part No. **200202**
Price . . . **\$346.00** ea.

26" Universal Aluminum Suction Wand fits into Granulator Exhaust Assembly and Suction Box outlets with Bag Guard removed. Cut to desired length.



Part No. **200215** Price **\$300.00** ea.

Bag Guard
Part No. **200141**
Price . . . **\$30.00** ea.



Control Units

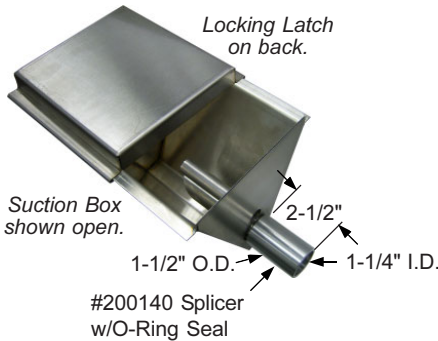
Single Control Unit.
Prox. Switch Extra (PRX3)
Part No. **200208**
Price **\$225.00** ea.

Dual Control Units
Master Control Unit.
Prox. Switch Extra (PRX3)
Part No. **200203**
Price **\$424.00** ea.

Slave Control Unit
Part No. **200204**
Price **\$350.00** ea.

Manual Control Unit
Part No. **200226**
Price **\$350.00** ea.

Stainless Steel Suction Box conveys material out of drying hoppers or material storage bins.



Box Dimensions:
Height = 6-1/2"
Length = 7-5/8"
Width = 7-1/2"

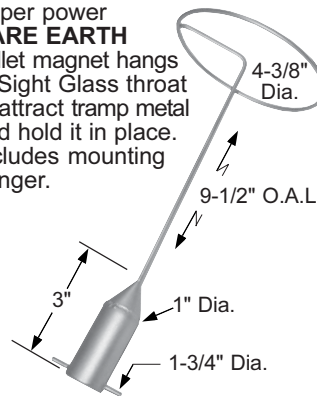
Requires cutting or drilling by customer.

Back view showing Locking Latch.



Part No. **200206** Price **\$275.00** ea.

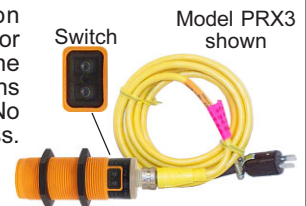
Super power **RARE EARTH** bullet magnet hangs in Sight Glass throat to attract tramp metal and hold it in place. Includes mounting hanger.



Part No. **200115**
Price **\$120.00** ea.

Proximity Switch mounts on Sight Glass, material hoppers or holding bins. Includes 78" line cord and plug. Hoppers and bins require a 1-3/16" dia. hole. No hole is required for Sight Glass.

NOTE: Granulator boxes require a reverse acting position.



Sight Glass, Hopper or Bin Model (switchable for standard or reverse acting)
Part No. **PRX3** Price **\$122.00** ea.
Spare 78" Line Cord with Plug
Part No. **PRXC4** Price **\$25.00** ea.

Spare Air Exhaust Filter. Filter media is pleated between 2 layers of woven wire and sealed at both ends with a vinyl rubber.

Dimensions:
7-3/4" O.D.
4-7/8" I.D.
4-3/8" High



Part No. **200100**
Price . . **\$27.25** ea.

* 1-1/4" I.D. outlet has an O-Ring seal inside and fits the 26" Universal Aluminum Suction Wand with the Bag Guard removed. Cut Wand to desired length.



PLASTIC PROCESS EQUIPMENT, INC.

8303 CORPORATE PARK DRIVE
MACEDONIA, OHIO 44056-2300
216-367-7000 • FAX: 216-367-7022
TOLL FREE: 800-321-0562

6385 MONTESSOURI STREET
LAS VEGAS, NEVADA 89113-1186
702-433-6385 • FAX: 702-433-6388
TOLL FREE: 800-258-8877

www.ppe.com
e-mail: sales@ppe.com

Toll Free: USA, Canada & Mexico
800-362-0706

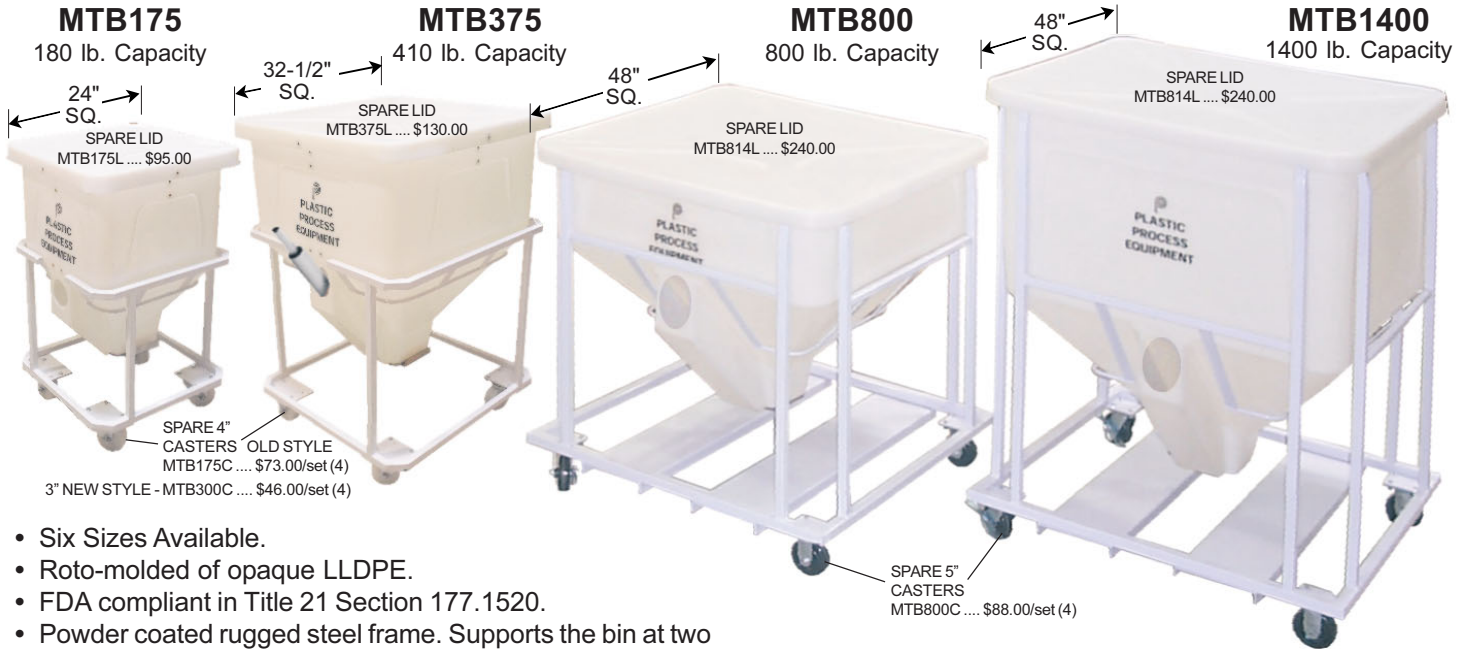
Order Fax: 800-223-8305



MATERIAL BINS

RUGGED - DURABLE - PORTABLE - HI-CAPACITY
6 SIZES FROM 110 LBS. TO 1400 LBS.

ISO-9001
MANUFACTURED IN A
QUALITY SYSTEM CERTIFIED
FACTORY.



- Six Sizes Available.
- Roto-molded of opaque LLDPE.
- FDA compliant in Title 21 Section 177.1520.
- Powder coated rugged steel frame. Supports the bin at two locations around the full perimeter.
- Portable, caster mounted, 2 fixed, 2 swivel. Locking swivels on MTB800 & MTB1400.
- Non-marking casters, large diameter.
- Full overlapping lid avoids entry of foreign material. Optional lid hold down clips available.
- Lid can be bored to accept a second probe.
- Stainless Steel Bottom Slide Gate for fast material evacuation and cleaning.
- Probe hole elongated 3" x 3-3/4" & 5" x 6-3/4".
- Not stackable for safety reasons.
- MTB800 & MTB1400 have forklift channels for lifting.
- Poundage graduation marks coming.
- Dimensions: **MTB175** = 24" Wide x 24" Deep x 39" High
MTB375 = 32-1/2" Wide x 32-1/2" Deep x 46" High
MTB800 = 48" Wide x 48" Deep x 48" High
MTB1400 = 48" Wide x 48" Deep x 60" High

PART NO.	CAPACITY	CUBIC FT.	PRICES EACH	
			1-5	6+
* MTB175	180 LBS.	4.93	\$435.00	\$415.00
* MTB375	410 LBS.	11.10	\$570.00	\$545.00
* MTB800	800 LBS.	22.50	\$1,010.00	\$960.00
* MTB1400	1400 LBS.	38.00	\$1,150.00	\$1,090.00

PART NO.	DESCRIPTION	PRICE
MTP175	Replacement bin w/lid (no slide gate)	\$275.00
* MTP375	Replacement bin w/lid (no slide gate)	\$325.00
* MTP800	Replacement bin w/lid (no slide gate)	\$560.00
* MTP1400	Replacement bin w/lid (no slide gate)	\$675.00

* Must ship by motor freight.

TRANSPARENT ACRYLIC DOOR KITS
(Includes: Acrylic Door, Hinge & Bolts)
DMTB13 (fits MTB175 & MTB375) \$17.85
DMTB814 (fits MTB800 & MTB1400) \$19.20



Door Kit

SPARE BOTTOM SLIDE GATE KIT
Stainless Steel with Mounting Bolts
CMTB20 (fits all bins with steel frames) ... \$68.00

LID HOLD DOWN CLAMP KITS
(Includes: Gasket, Mounts, Brackets, Clamps & Bolts.)
CMTB1 (fits MTB175) \$120.00
CMTB3 (fits MTB375) \$125.00
CMTB8 (fits MTB800) \$126.00
CMTB14 (fits MTB1400) \$126.00



Clamp Kit

NOT STACKABLE FOR SAFETY REASONS!
PPE Material Bins are strong and durable. They are roto-molded of linear low density polyethylene (heavy wall) and nestled in a strong welded steel frame. All sizes have a probe opening chute angled to the lowest point in the bin to assure continuous material flow. They are opaque in color to allow viewing of the bin contents. They feature a stainless steel slide gate for fast material evacuation, plus the bins can be removed from the frame for cleaning if necessary. Material Bins come complete with lid and casters.

LEVEL INDICATING PROXIMITY SWITCH W/ 78" CORD

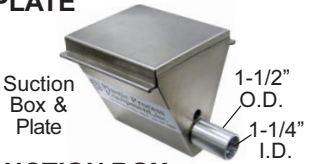
- Part No. **MTB126S** (requires a mounting bracket) \$279.00
- 5" Long Proximity Switch Mounting Bracket
- Part No. **MTB125P1** (fits MTB175) \$15.10
- 11" Long Proximity Switch Mounting Bracket
- Part No. **MTB125P3** (fits MTB375) \$17.20
- 14" Long Proximity Switch Mounting Bracket
- Part No. **MTB125P814** (fits MTB800 & MTB1400) \$19.35



Switch & Bracket

S.S. SUCTION BOX AND ADAPTOR PLATE FOR USE WITH VENTURI LOADERS

Stainless Steel Suction Box conveys material out of Material Storage Bins. Requires cutting or drilling by customer.
Part No. **200206** \$275.00 ea.



LLDPE ADAPTOR PLATE FOR S.S. SUCTION BOX

They come pre-drilled with stainless steel nuts & bolts.
Part No. **MTMP1000** (fits all bins with steel frames) \$15.00

PLASTIC PROCESS EQUIPMENT, INC.
EAST 8303 CORPORATE PARK DRIVE
MACEDONIA, OHIO 44056
216-367-7000 • FAX: 216-367-7022
TOLL FREE: 800-321-0562
WEST 6385 MONTESSOURI STREET
LAS VEGAS, NEVADA 89113
702-433-6385 • FAX: 702-433-6388
TOLL FREE: 800-258-8877

www.ppe.com
e-mail: sales@ppe.com
Toll Free: USA, Canada & Mexico
800-362-0706
Order Fax: 800-223-8305

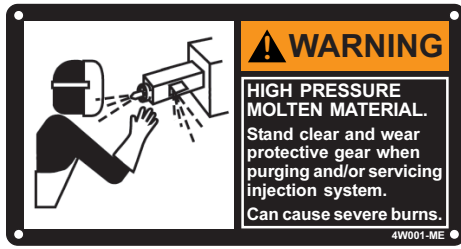


B151 ANSI & AN141 Harmonized Signs

POLYCARBONATE (subsurface printed with adhesive back) 5.3" Wide x 2.8" Tall \$3.85 ea
Temperature to 300°F

METAL (etched and filled aluminum with adhesive back) 5.3" Wide x 2.8" Tall \$5.15 ea

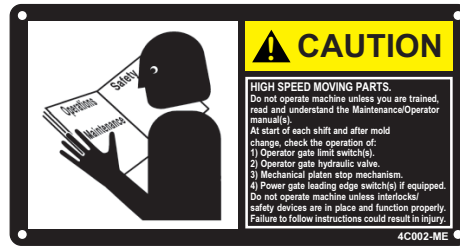
Spanish POLYCARBONATE text only add-on (2.8" sq) \$2.95 ea



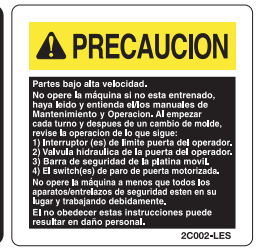
Poly Part No. 4W001-LE



(Spanish 2W001-LES)



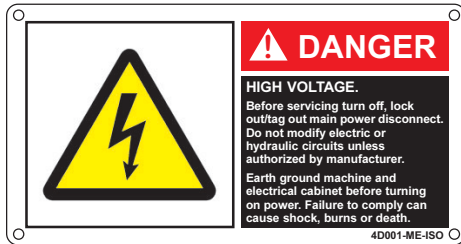
Metal Part No. 4C002-ME
Poly Part No. 4C002-LE



(Spanish 2C002-LES)



(Spanish 2W022-LES)



Poly Part No. 4D001-LE-ISO



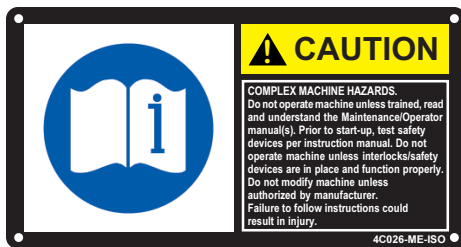
(Spanish 2D001-LES-ISO)



Poly Part No. 4D002-LE-ISO



(Spanish 2D002-LES-ISO)



Metal Part No. 4C026-ME-ISO
Poly Part No. 4C026-LE-ISO



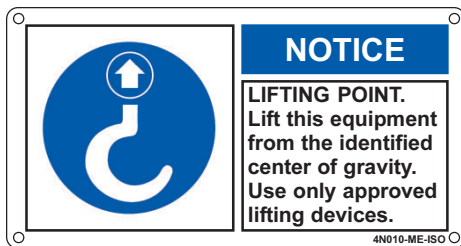
(Spanish 2C026-LES-ISO)



Metal Part No. 4N009-ME-ISO
Poly Part No. 4N009-LE-ISO



(Spanish 2N009-LES-ISO)



Metal Part No. 4N010-ME-ISO
Poly Part No. 4N010-LE-ISO



(Spanish 2N010-LES-ISO)



PLASTIC PROCESS EQUIPMENT, INC.

EAST 8303 CORPORATE PARK DRIVE
MACEDONIA, OHIO 44056
216-367-7000 • FAX: 216-367-7022
TOLL FREE: 800-321-0562

WEST 6385 MONTESSOURI STREET
LAS VEGAS, NEVADA 89113
702-433-6385 • FAX: 702-433-6388
TOLL FREE: 800-258-8877

www.ppe.com
e-mail: sales@ppe.com

Toll Free: USA, Canada & Mexico
800-362-0706

Order Fax: 800-223-8305



AN141 Harmonized Signs (International Symbols)

POLYCARBONATE (subsurface printed with adhesive back) 5.3" Wide x 2.8" Tall \$3.85 ea
Temperature to 300°F

Spanish **POLYCARBONATE** text only add-on (2.8" sq) \$2.95 ea



Poly Part No. 4W021-LE-ISO



(Spanish 2W021-LES-ISO)



Poly Part No. 4W001-LE-ISO



(Spanish 2W001-LES-ISO)

NEW ADHESIVE NFPA 70E STANDARD SIGNS

Flash Protection Boundary	<input type="text"/>
Incident Energy	<input type="text"/>
Working Distance	<input type="text"/>
Required PPE Level	<input type="text"/>
Shock Hazard Voltage	<input type="text"/>
Limited Approach	<input type="text"/>
Prohibited Approach	<input type="text"/>
Equipment ID	<input type="text"/>

CAUTION - SERVICE BY AUTHORIZED PERSONNEL ONLY

6" x 6" 6 mil PVC Part No. NNI-AFS-07D \$6.20 ea

Signs are 6 mil PVC with an adhesive back. These signs are designed to meet OSHA directives, NFPA 70E, and ANSI Z535 standards for safety signs and colors.

2-1/2" x 6-1/4" 6 mil PVC Part No. NNI-AFS-05D \$3.25 ea

ARC FLASH and SHOCK HAZARD
Do not operate controls or open covers without personal protection equipment.
Refer to NFPA 70E for minimum PPE requirements.
Failure to comply could result in injury.

2-1/2" x 3-3/4" 6 mil PVC Part No. NNI-AFS-03W \$4.10ea
5" x 7" 6 mil PVC Part No. NNI-AFS-04W \$4.60ea

ARC FLASH and SHOCK HAZARD
Do not operate controls or open covers without personal protection equipment.
Refer to NFPA 70E for minimum PPE requirements.
Failure to comply will result in injury or death.

2-1/2" x 3-3/4" 6 mil PVC Part No. NNI-AFS-03D \$4.10ea
5" x 7" 6 mil PVC Part No. NNI-AFS-04D \$4.60ea

ARC FLASH and SHOCK HAZARD
Do not operate controls or open covers without personal protection equipment.
Refer to NFPA 70E for minimum PPE requirements.
Failure to comply will result in injury or death.

PELIGRO DE DESCARGA ELÉCTRICA y ELECTROCUCIÓN
No opere los controles ni abra las cubiertas sin tener puesto el equipo de protección personal.
Consulte la norma NFPA 70E para averiguar los requisitos mínimos para los Equipos de Protección Personal.
El incumplimiento de lo anterior resultará en lesiones o la muerte.



PLASTIC PROCESS EQUIPMENT, INC.

8303 CORPORATE PARK DRIVE
MACEDONIA, OHIO 44056
216-367-7000 • FAX: 216-367-7022
TOLL FREE: 800-321-0562

6385 MONTESSOURI STREET
LAS VEGAS, NEVADA 89113
702-433-6385 • FAX: 702-433-6388
TOLL FREE: 800-258-8877

www.ppe.com
e-mail: sales@ppe.com

Toll Free: USA, Canada & Mexico
800-362-0706

Order Fax: 800-223-8305



TERMINAL BOXES & CONNECTORS

TERMINAL BOXES FOR MOLD POWER INPUT CONNECTORS



Part No.	Zones	"X"	"Y"	Price
PIC512TB	5,8,12	4.25	4.87	\$59.80
PICH23TB	2,3	4.99	5.61	\$78.50
PICH56TB	5,6	6.05	6.67	\$80.00

TERMINAL BOXES FOR THERMOCOUPLE CONNECTORS



Part No.	Zones	"X"	"Y"	Price
MTC5TB	5	4.25	4.87	\$59.80
MTC8TB	8	4.99	5.61	\$62.80
MTC12TB	12	6.05	6.67	\$64.45

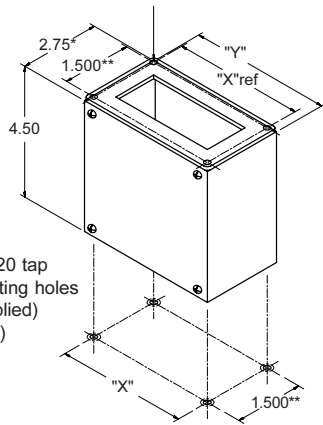
COMBINATION TERMINAL BOXES FOR MOLD POWER INPUT AND THERMOCOUPLE CONNECTORS



Part No.	Zones	"X"	"Y"	Price
PTC5TB	5	8.03	8.65	\$60.00
PTC8TB	8	8.84	9.46	\$69.25
PTC12TB	12	9.90	10.53	\$83.25
PTCH23TB	2,3	9.90	10.53	\$85.20
PTCH56TB	5,6	10.43	11.06	\$87.10

Terminal Box Dimensions

(4) holes in top plate may be used as a template for mounting holes



Use 1/4-20 tap for mounting holes (not supplied) typical (4)

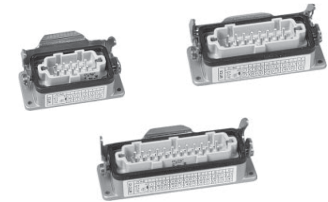
*2.75 dimension is 4.50 for PICH56TB & PTCH56TB.
**1.500 dimension is 3.250 for PICH56TB & PTCH56TB.



MOLD POWER/INPUT CONNECTORS

Part No.	Zones	Amps	Price
PIC5	5	15	\$43.10
PIC8	8	15	\$49.20
PIC12	12	15	\$58.35
PICH23	2,3	30	\$90.20
PICH5	5	30	\$179.10
PICH6	6	30	\$188.50

THERMOCOUPLE CONNECTORS



Part No.	Zones	Price
MTC5	5	\$50.80
MTC8	8	\$59.00
MTC12	12	\$68.80

TERMINAL BOXES FOR SINGLE, DUAL & TRI-ZONE CONNECTORS



Part No.	Used with Part Numbers	Accepts Connectors	Price
PTC1TB	PIM1B15, PIM2B10, MFP1, MFLD1C5	One 5 Pin (CKPT1C1)	\$54.00
PTC2TB	MFFMP2, MFPR2	Two 5 Pin (CKPT1C1)	\$56.00
PTC3TB	MFLD3N5, MFLD3C5	Three 5 Pin (CKPT1C1)	\$58.00
MTC8TB	MFLD3NP, MFLD3CP	Tri-Zone (TPT03)	\$62.80

SINGLE, DUAL & TRI-ZONE CONNECTORS



Part No.	Zones	Price
CKPT1C1	1,2,3	\$14.10
TPT03	3	\$60.50



PLASTIC PROCESS EQUIPMENT, INC.

8303 CORPORATE PARK DRIVE
MACEDONIA, OHIO 44056
216-367-7000 • FAX: 216-367-7022
TOLL FREE: 800-321-0562

6385 MONTESSOURI STREET
LAS VEGAS, NEVADA 89113
702-433-6385 • FAX: 702-433-6388
TOLL FREE: 800-258-8877

www.ppe.com
e-mail: sales@ppe.com

Toll Free: USA, Canada & Mexico
800-362-0706

Order Fax: 800-223-8305



HI-HEAT FIBERGLASS ELECTRICAL TAPE



PPE Hi-Heat Fiberglass cloth adhesive back tape is ideal for high temperature applications such as heater bands, cartridge heaters, etc. The dielectric strength rating is 2500 volts with a temperature rating of -100°F to +500°F.

PART NO.	DESCRIPTION	PRICE
HFT-35	1/4" x 108 ft.	\$10.75 ea.
HFT-36	1/2" x 108 ft.	\$17.25 ea.
HFT-37	3/4" x 108 ft.	\$25.25 ea.



HI-HEAT GLASS CLOTH TAPE BY 3M

3M Hi-Heat Electrical Tapes are ideal for use on heater bands and thermocouple lead extensions as well as all high heat applications. We offer two temperature ratings and mil thicknesses. Both are thermosetting with pressure sensitive adhesive for a long service life.

69 GLASS CLOTH ELECTRICAL TAPE

- Operates at 356°F (180°C)
- 7.5 mil thickness
- Meets requirements of MIL-I-19166C and has UL recognized component listing for 200°C (Guide OANZ2, file E17385). CSA accepted component 180°C file LR93411.



2 TYPES



27 GLASS CLOTH ELECTRICAL TAPE

- Operates at 266°F (130°C)
- 7 mil thickness
- UL recognized component listing for 150°C (Guide OANZ2, File E17385). CSA accepted component 130°C file LR93411. Meets MIL-I-15126F type GFT

PART NO.	SIZE	TEMP RANGE	THICKNESS	PRICE
275066	1/2" x 66 ft.	266°F/130°C	7 Mil	\$18.90 ea.
277566	3/4" x 66 ft.	266°F/130°C	7 Mil	\$22.15 ea.
695066	1/2" x 66 ft.	356°F/180°C	7.5 Mil	\$20.65 ea.
697566	3/4" x 66 ft.	356°F/180°C	7.5 Mil	\$27.35 ea.



GENERAL PURPOSE DUCT TAPE

A VERSATILE GENERAL PURPOSE POLY-COATED CLOTH-BACKED DUCT TAPE



NC203 Cloth-Backed Duct Tape is laminated to a tightly woven cloth scrim with a layer of polyethylene coated cloth and then coated with an aggressive rubber-based adhesive.

Beware of Cheap Vinyl Imitations!

FOR USE ON:

- HVAC duct sealing.
- Air conditioning duct sealing.
- Military specification packaging.
- Sound dampening.
- Splicing.
- High pressure sand blasting.
- Apollo 13

FEATURES:

- COLOR: Gray
- SIZE: 2" x 180' (60 yds.)
- Standard Grade (9.0 Mil thick)
- Excellent adhesion to a wide variety of surfaces.
- Rubber-based adhesive
- Extra Holding Power
- 1,001 uses!
- Max. Temp Range 200°F
- Low VOC Content <1 g/L

PART NO.	QUANTITY PRICING	
	1-5 ROLLS	6+ ROLLS
NC203	\$9.80 ea.	\$9.30 ea.



PLASTIC PROCESS EQUIPMENT, INC.

8303 CORPORATE PARK DRIVE
 MACEDONIA, OHIO 44056
 216-367-7000 • FAX: 216-367-7022
 TOLL FREE: 800-321-0562

6385 MONTESSOURI STREET
 LAS VEGAS, NEVADA 89113
 702-433-6385 • FAX: 702-433-6388
 TOLL FREE: 800-258-8877

www.ppe.com
 e-mail: sales@ppe.com

Toll Free: USA, Canada & Mexico
800-362-0706

Order Fax: 800-223-8305