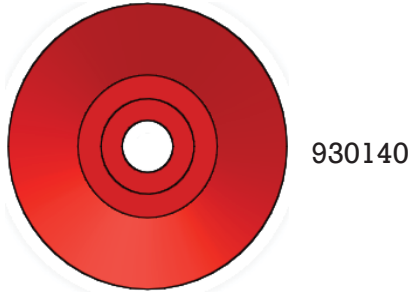
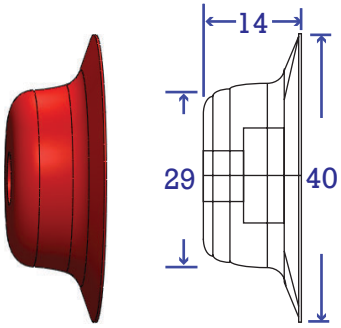




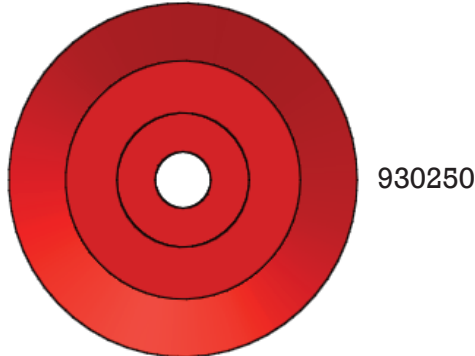
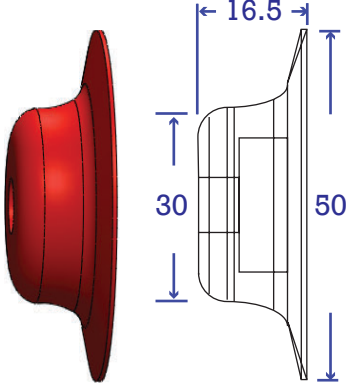
93 Series Flat Vacuum Cups

Material: red-Silicone, black-NBR
 Max Temp.: 428°F, 248°F
 Durometer: 50, 50

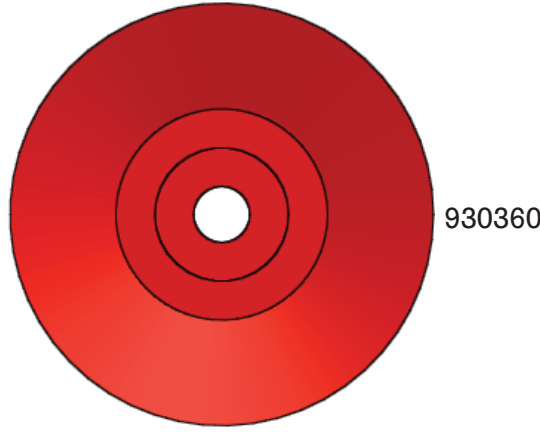
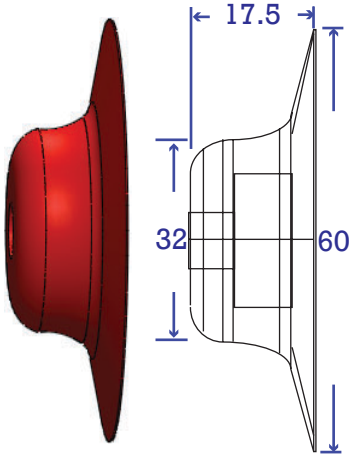
Compatible with Parker



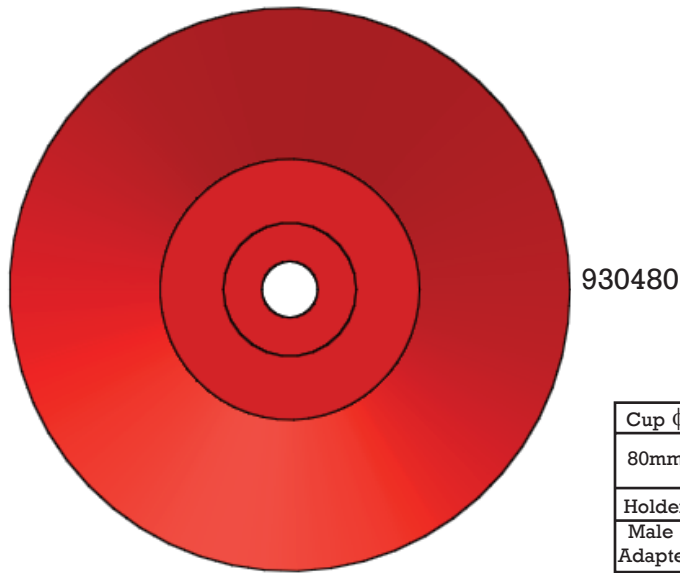
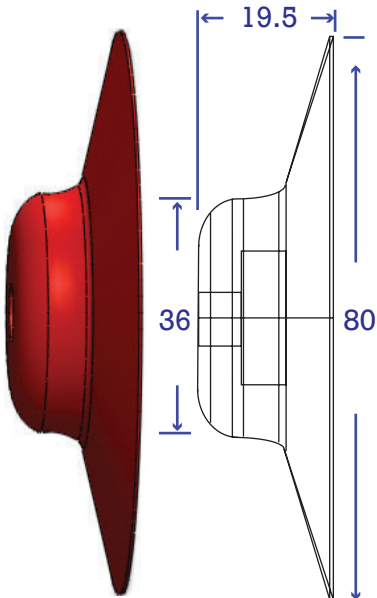
Cup ϕ	Material	Wt.	Part#	Price
40mm	Silicone	7g	930140S	\$2.80
	NBR	8g	930140N	\$2.46
Holder	H3-12-40			
Male Adapter	FAFG-4		PT1/8"	



Cup ϕ	Material	Wt.	Part#	Price
50mm	Silicone	7.9g	930250S	\$2.78
	NBR	9.2g	930250N	\$2.48
Holder	H3-12-50			
Male Adapter	FAFG-568		PT1/8"	



Cup ϕ	Material	Wt.	Part#	Price
60mm	Silicone	11.8g	930360S	\$4.95
	NBR	13.1g	930360N	\$4.39
Holder	H3-12-50			
Male Adapter	FAFG-568		PT1/8"	



Cup ϕ	Material	Wt.	Part#	Price
80mm	Silicone	24.9g	930480S	\$6.19
	NBR	28.0g	930480N	\$5.50
Holder	H3-12-50			
Male Adapter	FAFG-568		PT1/8"	