



THE BETTER PROBES  
OR STAINLESS STEEL  
PLUS HEAVY GAUGE

# HOPPER LOADER PROBES PICK-UP WANDS

## FOR VACUUM LOADERS



INLET O.D.	BODY O.D.	MATERIAL	24" LONG		36" LONG		48" LONG	
			PART NO.	PRICE	PART NO.	PRICE	PART NO.	PRICE
1"	1-3/4"	ALUMINUM	D8677	\$70.50	D7209	\$105.00	D8678	\$99.75
1"	1-3/4"	STAINLESS	SD8677	\$86.75	SD7209	\$98.25	SD8678	\$144.50
1-1/4"	2"	ALUMINUM	D8676	\$71.25	D3263	\$105.00	D8543	\$113.00
1-1/4"	2"	STAINLESS	SD8676	\$89.50	SD3263	\$167.00	SD8543	\$141.00
1-1/2"	2-1/4"	ALUMINUM	D8679	\$73.00	D7210	\$86.00	D8544	\$116.85
1-1/2"	2-1/4"	STAINLESS	SD8679	\$107.75	SD7210	\$180.00	SD8544	\$240.00
1-1/2"	2-1/2"	ALUMINUM			D11173	\$93.00		
1-3/4"	2-1/2"	ALUMINUM			D10061	\$98.00	D10080	\$118.00
2"	2-3/4"	ALUMINUM			D9502	\$115.00	D11119	\$146.00
2-1/2"	3-1/2"	ALUMINUM					D11120	\$149.00
3"	4"	ALUMINUM					D11121	\$173.00
3-1/2"	4-1/2"	ALUMINUM					D11122	\$219.00

### SINGLE TUBE LOADER PROBES FOR VENTURI LOADERS

BAG PROTECTOR STANDARD TO REDUCE SUCTION SIMPLY DRILL A HOLE IN SUCTION TUBE NEAR THE TOP OR REDUCE YOUR AIR PRESSURE.

SIZE O.D. X LENGTH	MATERIAL	PART NO.	PRICE	MATERIAL	PART NO.	PRICE
1-1/4" x 48"	ALUMINUM	AL11448	\$63.50	STAINLESS	SS11448	\$80.00
1-1/2" x 48"	ALUMINUM	AL11248	\$64.00	STAINLESS	SS11248	\$94.00
2" x 48"	ALUMINUM	AL20048	\$71.00	STAINLESS	SS20048	\$99.00
2-1/2" x 48"	ALUMINUM	AL21248	\$75.00	STAINLESS	SS21248	\$132.00
3" x 48"	ALUMINUM	AL30048	\$76.00	STAINLESS	SS30048	\$136.00

Aluminum = 6061-T6

### LINE VAC™ AVAILABLE



We did test the Line Vac™ on our Venturi Loader Material Probes and the lbs per hour thrupt increased over 60% @ 80 P.S.I.



# BULLET MAGNETS 5 MODELS

## SUPER POWER - RARE EARTH MAGNETS FOR JUST-IN-TIME LOADERS

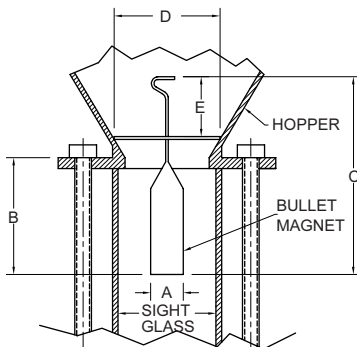
### FEATURES & BENEFITS

- Longer lengths for more magnetic surface area.
- Two magnet diameters, 1 inch & 5/8 inch.
- Five sizes to fit most sight glass throats.
- Sealed welded construction.
- Super power rare earth magnet.



The PPE Bullet Magnets are Super Power Rare Earth (Neodymium-Iron-Boron) Cartridges welded to a stainless steel wire ring. They are designed to be suspended in the center of the site glass tube of your hopper loader to catch and hold tramp ferrous metals. This position allows you to inspect the magnet for metal build-up. The magnet will not interfere with your proximity level control switch. The stainless ring can be bent to suit your required diameter for the correct suspension height.

Ring can be expanded or contracted to vary mounting elevation.



THE BETTER BULLET MAGNETS



Model 200115 Fits PPE Venturi Loader



PART NO.	DIMENSIONS					PRICE EACH
	"A" DIA.	"B" LENGTH	"C" O.A.	"D" RING	"E"	
200115	1"	3"	9-1/2"	4-3/8"	---	\$120.00
200116	1"	4-1/2"	8"	2-1/2"	3"	\$145.00
200117	1"	4-1/2"	8"	1-3/4"	3"	\$145.00
200118	5/8"	2-7/8"	6-1/8"	1-3/4"	2-3/4"	\$99.00
200119	5/8"	2-7/8"	6-1/8"	2-1/2"	2-3/4"	\$99.00



## PLASTIC PROCESS EQUIPMENT, INC.

8303 CORPORATE PARK DRIVE  
MACEDONIA, OHIO 44056  
216-367-7000 • FAX: 216-367-7022  
TOLL FREE: 800-321-0562

6385 MONTESSOURI STREET  
LAS VEGAS, NEVADA 89113  
702-433-6385 • FAX: 702-433-6388  
TOLL FREE: 800-258-8877

www.ppe.com  
e-mail: sales@ppe.com

Toll Free: USA, Canada & Mexico  
**800-362-0706**

Order Fax: 800-223-8305