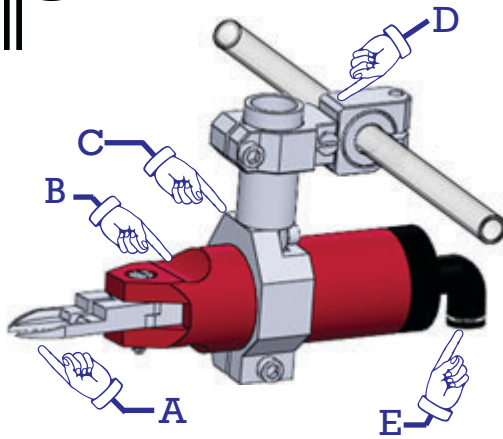




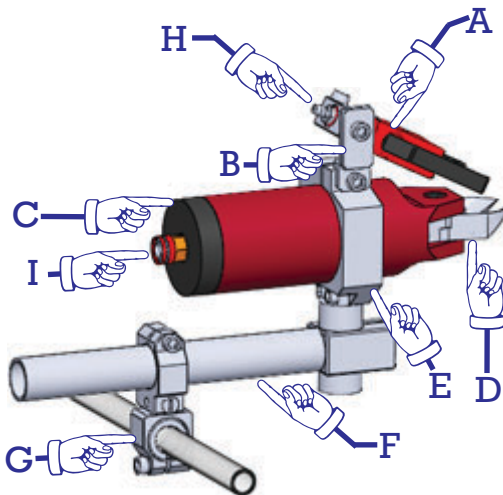
Examples of Gate Cutting Modules by Tube base

Item No. : GCM-001 , * Weight - 328g



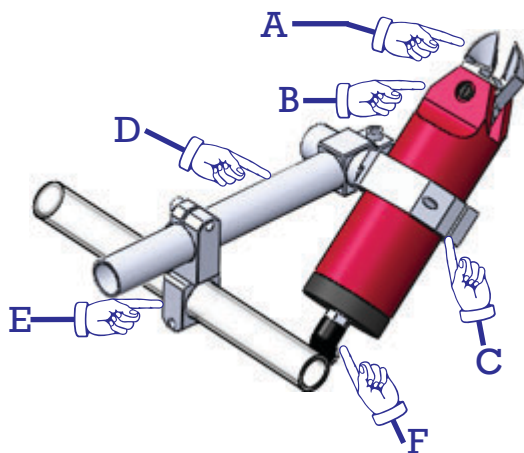
	Product Description	Part #	Number of Used Units	EINS Reference	Page of Details
A	0 degree Long blade for size 10	F3LS	1	N10L2S	P95
B	Size 10 Round type nipper body	HS-10M	1	GT-NR10L	P81
C	Nipper Mounting Brackets for size 10	MB-10	1	N01915-301	P76
D	20x12 - Tube & Direction Changeable Cross Clamps	TCC-2012	1	N01861-204	P42
E	Male Elbow Push-In Air Fitting R=PT1/4, Φ=8mm	EPL8-G8	1		P107

Item No. : GCM-002 , * Weight - 684g



	Product Description	Part #	Number of Used Units	EINS Reference	Page of Details
A	10mm Single Action Sprue Gripper	SG-101	1	CHK-EL-12-C	P64
B	Gripper Mounting Brackets for size 10	SGB-10	1	N01864-301	P76
C	Size 20 Round type nipper body	HS-20M	1	GT-NR20	P81
D	40 degree blade for size 20	FD5	1	N20PF	P97
E	Nipper Mounting Brackets for size 20	MB-20	1	N01915-302	P76
F	20mm Long Angle Arms	AA-20150	1	N01864-304	P53
G	20x12 - Tube & Direction Changeable Cross Clamps	TCC-2012	1	N01861-204	P42
H	4.7mm Hose Fitting	BF-6	1	BF-6	P109
I	Male Connector Push-In Air Fitting R=PT1/4, Φ=8mm	EPC8-G8	1		P107

Item No. : GCM-003 , * Weight - 1092g



	Product Description	Part #	Number of Used Units	EINS Reference	Page of Details
A	15 degree Long blade for size 30	F9P	1	N30AP	P101
B	Size 30 Round type nipper body	HS-30M	1	GT-NR30	P81
C	Nipper Mounting Brackets for size 30	MB-30	1	N01915-303	P76
D	20mm Long Angle Arms	AA-20150	1		P53
E	20x20 - Tube & Direction Changeable Cross Clamps	TCC-2020	1	N01861-206	P42
F	Male Elbow Push-In Air Fitting R=PT1/4, Φ=8mm	EPL8-G8	1		P107



PLASTIC PROCESS EQUIPMENT, INC.

www.ppe.com • e-mail: sales@ppe.com

PPE WEST 6385 Montessouri Street, Las Vegas, Nevada 89113
702-433-6385 • 800-258-8877 • Fax: 702-433-6388

PPE SOUTH 11218 Challenger Avenue, Odessa, Florida 33556
727-834-8888 • 800-282-6783 • Fax: 727-834-8873

8303 CORPORATE PARK DRIVE, MACEDONIA (Cleveland), OHIO 44056, USA

PPE 216-367-7000 • Toll Free: 800-321-0562 • Fax: 216-367-7022 • Order Fax: 800-223-8305

Toll Free: USA, Canada & Mexico
800-362-0706