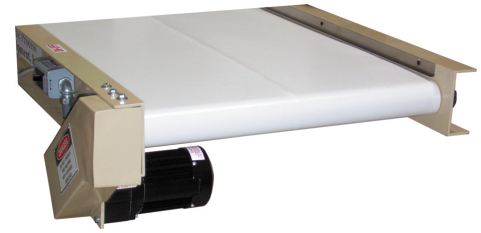
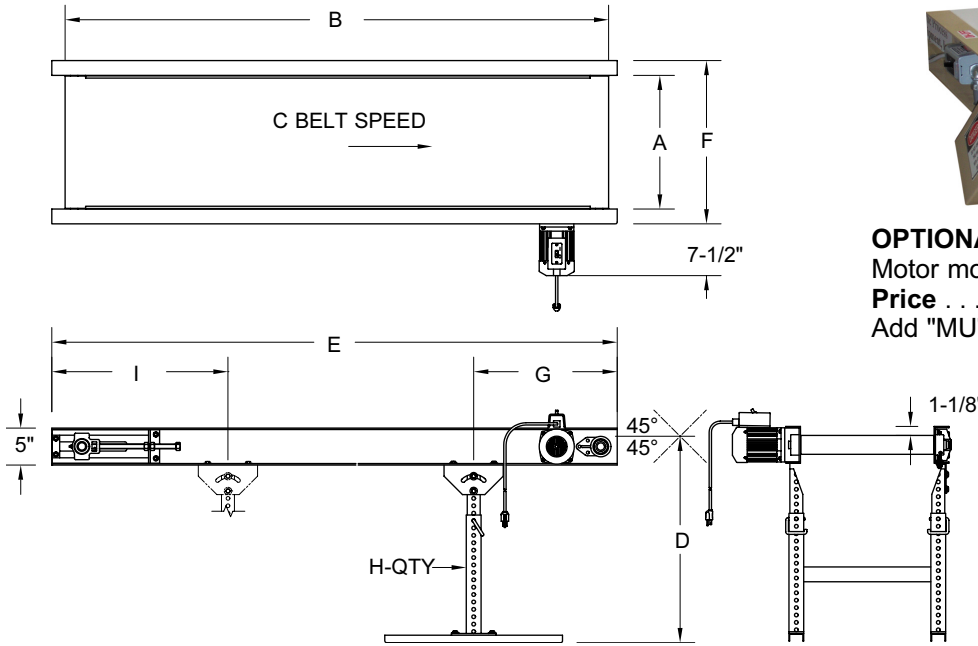




# PC HEAVY DUTY CONVEYOR

## SPECIFICATIONS AND PRICES

### UNDER-MOUNT MOTOR



**OPTIONAL:**  
 Motor mounted under conveyor.  
**Price** ..... add **\$190.00**  
 Add "MU" to conveyor model number.

**OPTIONAL:**  
 On-Off Cycling feature order #685  
 Motor and Capacitor factory installed.  
 (No controller included.)  
**Price** ..... add **\$118.00**  
 Can cycle up to 10 times per minute.  
 (NOTE: Can not be used with Variable Speed.)

	Model No.	A Belt Width In.	B Nominal Belt Length	C Belt Speed Ft./Min.	D Height to Top of Belt		E Length Overall In.	F Frame Width In.	G In.	H Qty. of Stands	I In.	Approx. Shipping Weight Lbs.	Prices
					Max.	Min.							
12" Wide Models	PC-124	12"	4'	18.3	41"	29"	52"	17"	19"	1	-	143	\$1,533.00
	PC-125	12"	5'	18.3	41"	29"	64"	17"	25-1/4"	1	-	164	1,574.00
	PC-126	12"	6'	18.3	41"	29"	76"	17"	31"	1	-	185	1,607.00
	PC-127	12"	7'	18.3	41"	29"	88"	17"	37"	1	-	206	1,656.00
	PC-128	12"	8'	18.3	41"	29"	100"	17"	23"	2	24"	233	1,833.00
	PC-1210	12"	10'	18.3	41"	29"	124"	17"	23"	2	36"	255	1,958.00
	PC-1212	12"	12'	18.3	41"	29"	148"	17"	23"	2	48"	277	2,040.00
	PC-1215	12"	15'	18.3	41"	29"	184"	17"	23"	2	60"	310	2,164.00
18" Wide Models	PC-184	18"	4'	18.3	41"	29"	52"	23"	19"	1	-	150	1,614.00
	PC-185	18"	5'	18.3	41"	29"	64"	23"	25-1/4"	1	-	175	1,673.00
	PC-186	18"	6'	18.3	41"	29"	76"	23"	31"	1	-	200	1,711.00
	PC-187	18"	7'	18.3	41"	29"	88"	23"	37"	1	-	240	1,768.00
	PC-188	18"	8'	18.3	41"	29"	100"	23"	23"	2	24"	271	1,963.00
	PC-1810	18"	10'	18.3	41"	29"	124"	23"	23"	2	36"	311	2,114.00
	PC-1812	18"	12'	18.3	41"	29"	148"	23"	23"	2	48"	350	2,232.00
	★PC-1815	18"	15'	19	41"	29"	184"	23"	23"	2	60"	408	2,504.00
	★PC-1820	18"	20'	19	41"	29"	244"	23"	23"	3	60"	506	2,739.00
24" Wide Models	PC-245	24"	5'	18.3	41"	29"	64"	29"	25-1/4"	1	-	186	1,759.00
	PC-246	24"	6'	18.3	41"	29"	76"	29"	31"	1	-	241	1,822.00
	PC-247	24"	7'	18.3	41"	29"	88"	29"	37"	1	-	296	1,880.00
	PC-248	24"	8'	18.3	41"	29"	100"	29"	23"	2	24"	375	2,083.00
	PC-2410	24"	10'	18.3	41"	29"	124"	29"	23"	2	36"	468	2,253.00
	★PC-2412	24"	12'	19	41"	29"	148"	29"	23"	2	48"	561	2,360.00
	★PC-2415	24"	15'	19	41"	29"	184"	29"	23"	2	60"	702	2,507.00

★ LONGER UNITS SUPPLIED WITH A 1/2 H.P. T.E.F.C. RIGHT ANGLE GEARBOX MOTOR. SEE EXTRA WIDE MODELS FOR PICTURE.  
 STANDARD STEEL SIDE RAILS, UP TO 8 FT. LONG x 3 1/2" HIGH .....\$102.00  
 STAINLESS STEEL SIDE RAILS, UP TO 8 FT. LONG x 3 1/2" HIGH.....\$150.00

MOLDED-ON CLEAT PRICES NOTE: CLEATS ARE INDENTED 1/2" FROM EACH SIDE OF CONVEYOR BELT.	HEIGHT	6" WIDE	12" WIDE	18" WIDE	24" WIDE
	3/4"	5.62 ea.	11.15 ea.	16.73 ea.	22.31 ea.
	1"	5.62 ea.	11.15 ea.	16.73 ea.	22.31 ea.
	1-1/2"	6.00 ea.	12.00 ea.	18.00 ea.	24.00 ea.
	2"	6.00 ea.	12.00 ea.	18.00 ea.	24.00 ea.