



END OF ARM TOOLING SWITCHES

MECHANICAL SPRING SWITCH

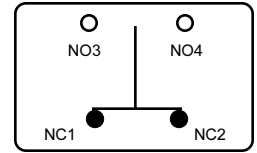
Spring switches are precision snap-action mechanisms enclosed in accurately molded plastic cases. They are carefully manufactured and thoroughly inspected. These precision switches are known for their accurate repeatability and long life especially for robotic part detection use.

SPECIFICATIONS:

- Operating force: 150g (5.29 oz).
- Pre Travel: 30mm (1.18") Max.
- Over Travel: 30mm (1.18") Max.
- Operating Position: 28mm ± 15mm (1.1" ± 0.5")

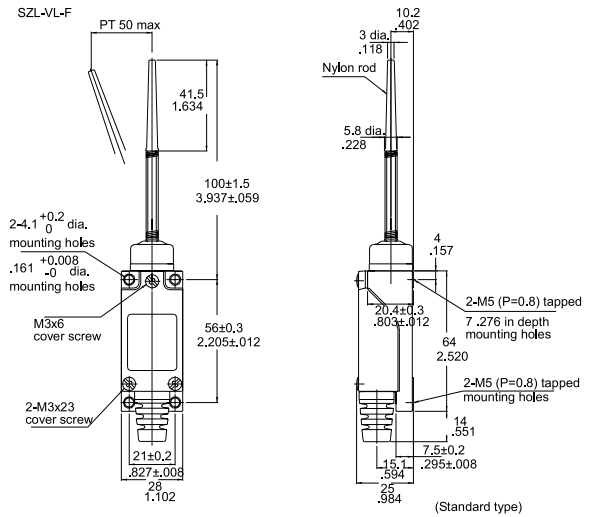
FEATURES:

- Flexible touch direction spring style.
- Power load switching capability to 15amps.
- High Temperature Construction for up to 400°F
- Voltage 110vac to 600vac, 8vdc to 250vdc
- Mechanical Repetition 120/min.
- Electrical Repetition 30/min.
- Life Cycle: More than 5 Million times (60/min).



Electrical Circuit Diagram

MODEL TOP411200 \$44.45



MICRO SWITCH

Limit switches are an inexpensive alternative to the more precise spring switches. They can be used to sense when your end of arm tooling gets close to the mold. This switch has one NC contact and one NO contact so it can be used to make or break a circuit.



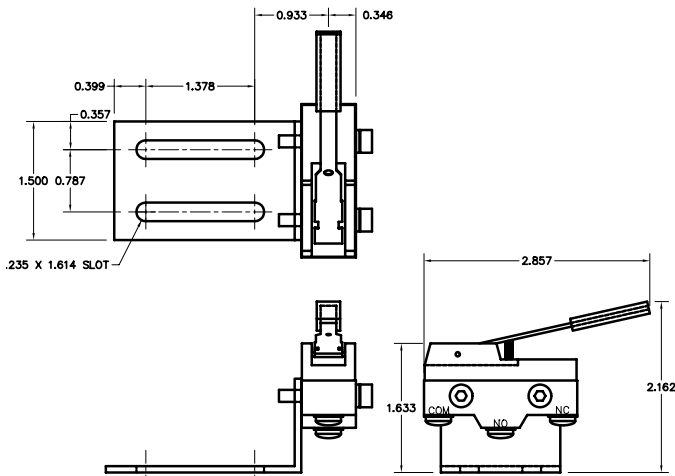
SPECIFICATIONS:

- 10Amp/250VAC or 15Amp/125VAC
- NO and NC contacts

FEATURES:

- Power load switching capability to 15amps.
- Includes plated bracket and mounting hardware
- Soft protective lever cover

MODEL TOP411110 \$22.95



PLASTIC PROCESS EQUIPMENT, INC.

6385 Montessouri Street, Las Vegas, Nevada 89113
702-433-6385 • 800-258-8877 • Fax: 702-433-6388

11218 Challenger Avenue, Odessa, Florida 33556
727-834-8888 • 800-282-6783 • Fax: 727-834-8873

8303 CORPORATE PARK DRIVE, MACEDONIA (Cleveland), OHIO 44056, USA

216-367-7000 • Toll Free: 800-321-0562 • Fax: 216-367-7022 • Order Fax: 800-223-8305

www.ppe.com • e-mail: sales@ppe.com

Toll Free: USA, Canada & Mexico
800-362-0706