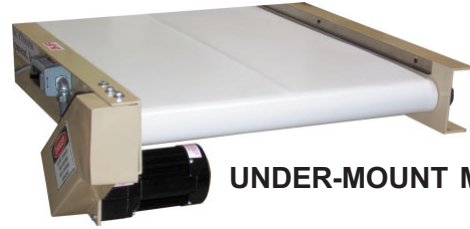
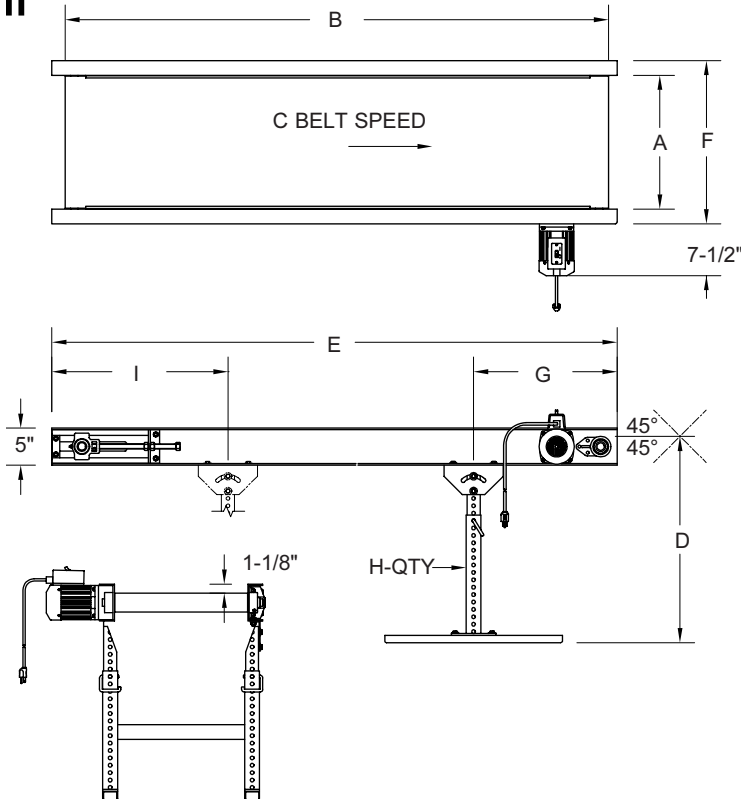




PC HEAVY DUTY CONVEYOR

SPECIFICATIONS AND PRICES



UNDER-MOUNT MOTOR

OPTIONAL:

Motor mounted under conveyor.

Price add **\$295.00**

Add "MU" to conveyor model number.

OPTIONAL:

Belt movement On-Off Cycling Timer. Includes motor control and timer factory installed. Can cycle motor up to 10 times per minute. Controls both belt stop time and belt forward movement time.

Price add **\$457.00**

Add "BMT" to conveyor model number.



BELT MOVEMENT ON-OFF CYCLING TIMER

Model No.	A Belt Width In.	B Nominal Belt Length	C Belt Speed Ft./Min.	D Height to Top of Belt		E Length Overall In.	F Frame Width In.	G In.	H Qty. of Stands	I In.	Approx. Shipping Weight Lbs.	Prices
				Max.	Min.							
12" Wide Models	PC-124	4'	18.3	41"	29"	52"	17"	19"	1	-	179	\$2,166.00
	PC-125	5'	18.3	41"	29"	64"	17"	25-1/4"	1	-	188	\$2,235.00
	PC-126	6'	18.3	41"	29"	76"	17"	31"	1	-	205	\$2,288.00
	PC-128	8'	18.3	41"	29"	100"	17"	23"	2	24"	268	\$2,637.00
	PC-1210	10'	18.3	41"	29"	124"	17"	23"	2	36"	312	\$2,827.00
	PC-1212	12'	18.3	41"	29"	148"	17"	23"	2	48"	335	\$2,981.00
18" Wide Models	PC-1215	15'	18.3	41"	29"	184"	17"	23"	2	60"	388	\$3,272.00
	PC-184	4'	18.3	41"	29"	52"	23"	19"	1	-	196	\$2,307.00
	PC-185	5'	18.3	41"	29"	64"	23"	25-1/4"	1	-	210	\$2,390.00
	PC-186	6'	18.3	41"	29"	76"	23"	31"	1	-	228	\$2,452.00
	PC-187	7'	18.3	41"	29"	88"	23"	37"	1	-	270	\$2,518.00
	PC-188	8'	18.3	41"	29"	100"	23"	23"	2	24"	294	\$2,875.00
	PC-1810	10'	18.3	41"	29"	124"	23"	23"	2	36"	346	\$3,075.00
	PC-1812	12'	18.3	41"	29"	148"	23"	23"	2	48"	377	\$3,247.00
24" Wide Models	★PC-1815	15'	19	41"	29"	184"	23"	23"	2	60"	460	\$4,008.00
	★PC-1820	20'	19	41"	29"	244"	23"	23"	3	60"	770	\$4,916.00
	PC-245	5'	18.3	41"	29"	64"	29"	25-1/4"	1	-	243	\$2,525.00
	PC-246	6'	18.3	41"	29"	76"	29"	31"	1	-	252	\$2,597.00
	PC-247	7'	18.3	41"	29"	88"	29"	37"	1	-	296	\$2,675.00
24" Wide Models	PC-248	8'	18.3	41"	29"	100"	29"	23"	2	24"	317	\$3,027.00
	PC-2410	10'	18.3	41"	29"	124"	29"	23"	2	36"	402	\$3,272.00
	★PC-2412	12'	19	41"	29"	148"	29"	23"	2	48"	463	\$4,021.00
★PC-2415	15'	19	41"	29"	184"	29"	23"	2	60"	495	\$4,380.00	

★ LONGER UNITS SUPPLIED WITH A 1/2 H.P. T.E.F.C. RIGHT ANGLE GEARBOX MOTOR. SEE EXTRA WIDE MODELS FOR PICTURE.

STANDARD STEEL SIDE RAILS, UP TO 8 FT. LONG x 3 1/2" HIGH\$214.00

STAINLESS STEEL SIDE RAILS, UP TO 8 FT. LONG x 3 1/2" HIGH.....\$315.00

MOLDED-ON CLEAT PRICES NOTE: CLEATS ARE INDENTED 1/2" FROM EACH SIDE OF CONVEYOR BELT.	HEIGHT	6" WIDE	12" WIDE	18" WIDE	24" WIDE
	3/4"	\$10.00 ea.	\$20.00 ea.	\$30.00 ea.	\$40.00 ea.
	1"	\$10.00 ea.	\$20.00 ea.	\$30.00 ea.	\$40.00 ea.
	1-1/2"	\$14.00 ea.	\$24.00 ea.	\$33.00 ea.	\$45.00 ea.
	2"	\$14.00 ea.	\$24.00 ea.	\$33.00 ea.	\$45.00 ea.