

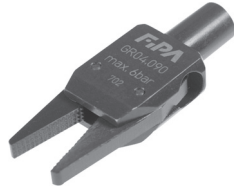


END OF ARM TOOLING PARTS FOR ROBOTIC SPRUE PICKERS

**Highest
Gripping Force
in Relation to Size!**



TOPF080

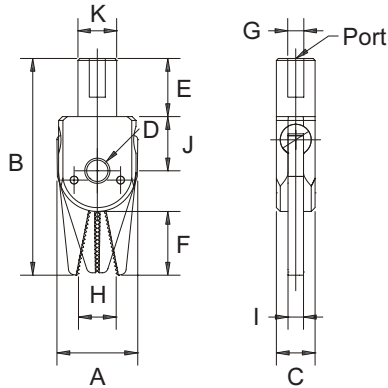


TOPF090

**Includes
Grip Sensor**



TOPF091



Mini Grippers

These grippers are very small and light weight yet they are very powerful and robust. Hard coated gripper surface provides high wear resistance. Model TOPF091 includes grip detection sensor.

Part No.	Action	Sensor	Closing Force (N)	Weight (g)	Price
TOPF080	Single	No	12*	8	\$140.00
TOPF090	Single	No	15*	15	142.00
TOPF091	Single	Yes	15*	17	175.00

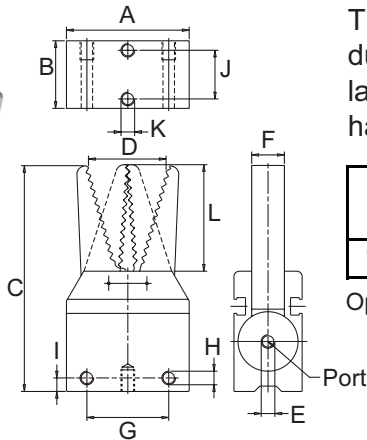
PART NO	A (mm)	B (mm)	C (mm)	D (mm)	E (mm)	F (mm)	G	H (mm)	I (mm)	J (mm)	K (mm)
TOPF080	17	46.5	8	4.2	15	12	M5	8	3	11	10
TOPF090	20	56	10	5.5	15	17	M5	10	4	14	10
TOPF091	20	56	10	5.5	15	17	M5	10	4	14	10



TOPF110



TOPF110S



Large Gripper

These grippers are designed for gripping large sprues during injection molding. They are a short design with a large jaw opening. Dual action allows rapid cycle times, hard coated surface provides maximum wear resistance.

Part No.	Action	Sensor	Closing Force (N)	Weight (g)	Price
TOPF110	Double	No	23*	114	\$224.00

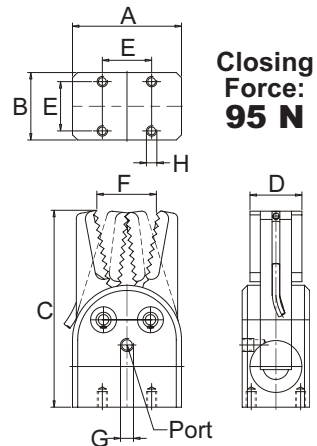
Optional SENSOR TOPF110S \$49.00

PART NO	A (mm)	B (mm)	C (mm)	D (mm)	E (mm)	F (mm)	G (mm)	H (mm)	I (mm)	J (mm)	K (mm)	L (mm)
TOPF110	45	25	84	28.5	M5	12	30	M5	5	18	M5	39

**Includes
Grip Sensor**



TOPF111A



**Closing Force:
95 N**

Compact Powerful Gripper

These grippers are designed for gripping the sprue during injection molding. The short design, very high closing force and coarse teeth give them excellent gripping capability. Includes grip sensor (PNP type).

Part No.	Action	Sensor	Closing Force (N)	Weight (g)	Price
TOPF111A	Single	Yes	95*	135	\$324.00

Spare SENSOR TOPF111AS \$75.00

PART NO	A (mm)	B (mm)	C (mm)	D (mm)	E (mm)	F (mm)	G	H
TOPF111A	42	26	76	20	19	23	M5	M4

* Closing force measured at jaw tip.
Force increases closer to jaw pivot point.



PLASTIC PROCESS EQUIPMENT, INC.

PPE WEST 6385 Montessori Street, Las Vegas, Nevada 89113
702-433-6385 • 800-258-8877 • Fax: 702-433-6388

PPE SOUTH 11218 Challenger Avenue, Odessa, Florida 33556
727-834-8888 • 800-282-6783 • Fax: 727-834-8873

8303 CORPORATE PARK DRIVE, MACEDONIA (Cleveland), OHIO 44056, USA

www.ppe.com • e-mail: sales@ppe.com

216-367-7000 • Toll Free: 800-321-0562 • Fax: 216-367-7022 • Order Fax: 800-223-8305

Toll Free: USA, Canada & Mexico
800-362-0706