



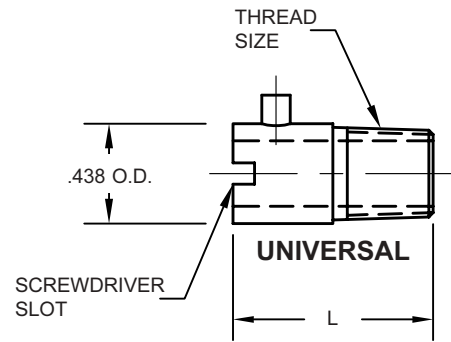
THERMOCOUPLE BAYONET ADAPTORS

UNIVERSAL ADAPTORS TO FIT STANDARD THERMOCOUPLES
AMERICAN — METRIC — BRITISH STANDARD

UNIVERSAL ADAPTORS TO FIT STANDARD THERMOCOUPLES.

PART NO.	THREAD SIZE	L DIM. LENGTH	# PINS	QUANTITY PRICING	
				1-11	12+
78-T	1/8-27 N.P.T	7/8"	1	\$1.20	\$1.10
114-T	1/8-27 N.P.T	1-1/4"	1	1.35	1.25
214-T	1/8-27 N.P.T	2-1/4"	1	1.75	1.65
NEW {	300-T	1/8-27 N.P.T	3"	3.05	2.85
	350-T	1/8-27 N.P.T	3-1/2"	3.35	3.15
NEW {	78-S	3/8-24 N.F.	7/8"	1.20	1.10
	114-S	3/8-24 N.F.	1-1/4"	1.35	1.25
	214-S	3/8-24 N.F.	2-1/4"	1.75	1.65
	300-S	3/8-24 N.F.	3"	3.05	2.85
	78-BS	1/8-28 B.S.P.T	7/8"	2.75	2.50
	114-BS	1/8-28 B.S.P.T	1-1/4"	3.25	3.00
	111-M	10x1.5mm	1-1/2"	3.30	3.15
	212-M	10X1.5mm	2-1/2"	4.50	4.25
	112-M	12X1mm	1-1/2"	3.35	3.10
	213-M	12X1mm	2-1/2"	4.65	4.40
113-M	14X1.5mm	1-1/2"	3.30	3.10	
238-M	14X1.5mm	2-3/8"	4.75	4.40	

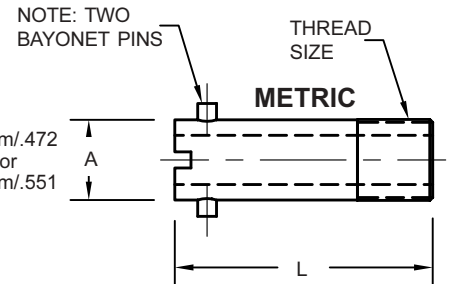
Made of 4140 Steel Cad. Plated.



These Universal Bayonet Adaptors are available with Metric threads and a .438 Body Diameter. This allows you to use American Standard lower priced Thermocouples in your Metric threaded T.C. holes.

METRIC ADAPTORS TO FIT METRIC THERMOCOUPLES

A DIM	PART NO.	THREAD SIZE	L DIM. LENGTH	# PINS	QUANTITY PRICING	
					1-11	12+
12mm/.472	M121	12X1mm	1-1/2"	2	\$3.85	\$3.65
12mm/.472	M122	12X1mm	2-1/2"	2	5.25	5.00
12mm/.472	M123	12X1.5mm	1-1/2"	2	3.55	3.35
12mm/.472	M125	12X1.5mm	2-1/2"	2	5.10	4.85
14mm/.551	M141	14X1.5mm	1-1/2"	2	3.95	3.75
14mm/.551	M142	14X1.5mm	2-1/2"	2	5.45	5.25



T/C BAYONET ADAPTOR WITH STRAP CLAMP

PART NO.	CLAMPING RANGE	ADAPTOR O.A.L.	PRICE EACH
TCHSS-101	9/16" to 1-1/16"	1-1/4"	\$5.00
TCHSS-241	1-1/16" to 2"	1-1/4"	5.00
TCHSS-361	1-3/4" to 2-1/2"	1-1/4"	5.00
TCHSS-481	2-1/2" to 3-3/8"	1-1/4"	5.00
TCHSS-641	3-9/16" to 4-1/2"	1-1/4"	6.00
TCHSS-961	4-1/2" to 6-1/2"	1-1/4"	6.00
TCHSS-102	9/16" to 1-1/16"	2"	6.00
TCHSS-242	1-1/16" to 2"	2"	6.25
TCHSS-362	1-3/4" to 2-1/2"	2"	6.25
TCHSS-482	2-1/2" to 3-3/8"	2"	6.25
TCHSS-642	3-9/16" to 4-1/2"	2"	6.25
TCHSS-962	4-1/2" to 6-1/2"	2"	6.25

Larger sizes available to special order.

FOR SURFACE MOUNTING NO DRILLING REQUIRED

- Designed for surface applications where a drilled thermocouple hole is impractical.
- Worm gear hose clamp.
- 9/16" wide clamp with 7/16" hexagon and screw drive slot.
- Two adaptor lengths.
- Adaptor body dia. = .438



PLASTIC PROCESS EQUIPMENT, INC.

6385 Montessori Street, Las Vegas, Nevada 89113
PPE WEST 702-433-6385 • 800-258-8877 • Fax: 702-433-6388

11218 Challenger Avenue, Odessa, Florida 33556
PPE SOUTH 727-834-8888 • 800-282-6783 • Fax: 727-834-8873

8303 CORPORATE PARK DRIVE, MACEDONIA (Cleveland), OHIO 44056, USA

216-367-7000 • Toll Free: 800-321-0562 • Fax: 216-367-7022 • Order Fax: 800-223-8305

www.ppe.com • e-mail: sales@ppe.com

Toll Free: USA, Canada & Mexico
800-362-0706