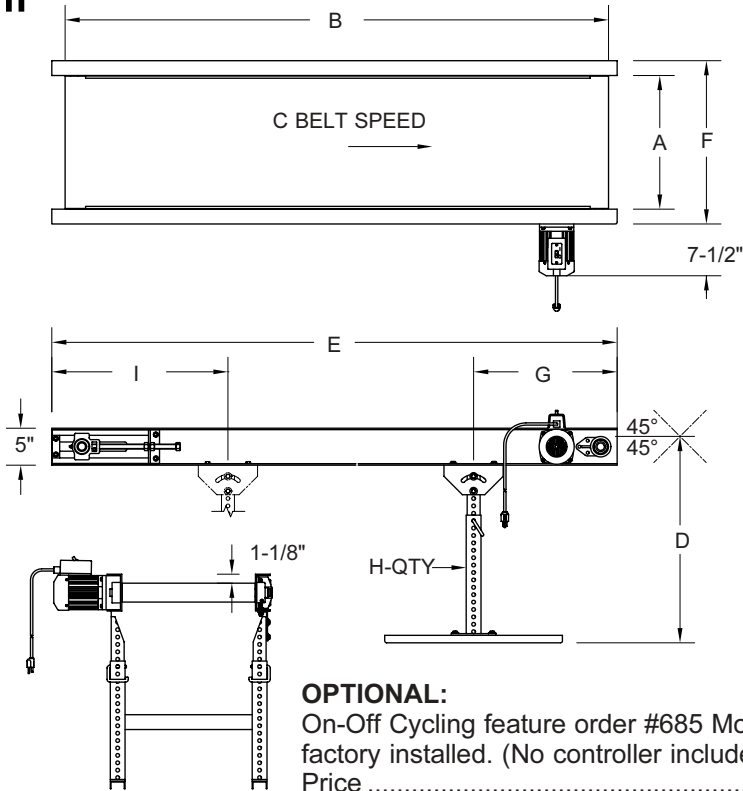




PC HEAVY DUTY CONVEYOR

SPECIFICATIONS AND PRICES



OPTIONAL:

Variable Speed Control Factory Installed Only, 0-54 FPM, SCR Control, 1/4 H.P. D.C. Motor. Price add \$150.00

★ Variable Speed Control Factory Installed Only, 0-54 FPM, SCR Control, 1/2 H.P. T.E.F.C. Right Angle Gearbox D.C. Motor. Price add \$461.00

Add "VS" to conveyor model number.



OPTIONAL:

Motor mounted under conveyor. Price add \$100.00
Add "MU" to conveyor model number.

OPTIONAL:

On-Off Cycling feature order #685 Motor and Capacitor factory installed. (No controller included.) Price add \$118.00
Can cycle up to 10 times per minute.

12" Wide Models

18" Wide Models

24" Wide Models

Model No.	A Belt Width In.	B Nominal Belt Length	C Belt Speed Ft./Min.	D Height to Top of Belt		E Length Overall In.	F Frame Width In.	G In.	H Qty. of Stands	I In.	Approx. Shipping Weight Lbs.	Prices
				Max.	Min.							
PC-124	12"	4'	18.3	41"	29"	52"	17"	19"	1	-	143	\$1,630.00
PC-125	12"	5'	18.3	41"	29"	64"	17"	25-1/4"	1	-	164	1,671.00
PC-126	12"	6'	18.3	41"	29"	76"	17"	31"	1	-	185	1,704.00
PC-127	12"	7'	18.3	41"	29"	88"	17"	37"	1	-	206	1,754.00
PC-128	12"	8'	18.3	41"	29"	100"	17"	23"	2	24"	233	1,930.00
PC-1210	12"	10'	18.3	41"	29"	124"	17"	23"	2	36"	255	2,055.00
PC-1212	12"	12'	18.3	41"	29"	148"	17"	23"	2	48"	277	2,145.00
PC-184	18"	4'	18.3	41"	29"	52"	23"	19"	1	-	150	1,496.00
PC-185	18"	5'	18.3	41"	29"	64"	23"	25-1/4"	1	-	175	1,557.00
PC-186	18"	6'	18.3	41"	29"	76"	23"	31"	1	-	200	1,595.00
PC-187	18"	7'	18.3	41"	29"	88"	23"	37"	1	-	240	1,653.00
PC-188	18"	8'	18.3	41"	29"	100"	23"	23"	2	24"	271	1,836.00
PC-1810	18"	10'	18.3	41"	29"	124"	23"	23"	2	36"	311	1,988.00
PC-1812	18"	12'	18.3	41"	29"	148"	23"	23"	2	48"	350	2,100.00
★PC-1815	18"	15'	19	41"	29"	184"	23"	23"	2	60"	408	2,376.00
★PC-1820	18"	20'	19	41"	29"	244"	23"	23"	3	60"	506	2,614.00
PC-245	24"	5'	18.3	41"	29"	64"	29"	25-1/4"	1	-	186	1,639.00
PC-246	24"	6'	18.3	41"	29"	76"	29"	31"	1	-	241	1,703.00
PC-247	24"	7'	18.3	41"	29"	88"	29"	37"	1	-	296	1,761.00
PC-248	24"	8'	18.3	41"	29"	100"	29"	23"	2	24"	375	1,951.00
PC-2410	24"	10'	18.3	41"	29"	124"	29"	23"	2	36"	468	2,122.00
★PC-2412	24"	12'	19	41"	29"	148"	29"	23"	2	48"	561	2,260.00
★PC-2415	24"	15'	19	41"	29"	184"	29"	23"	2	60"	702	2,409.00

★ LONGER UNITS SUPPLIED WITH A 1/2 H.P. T.E.F.C. RIGHT ANGLE GEARBOX MOTOR. SEE EXTRA WIDE MODELS FOR PICTURE.
STANDARD STEEL SIDE RAILS, UP TO 8 FT. LONG x 3 1/2" HIGH \$102.00
STAINLESS STEEL SIDE RAILS, UP TO 8 FT. LONG x 3 1/2" HIGH \$150.00

MOLDED-ON CLEAT PRICES NOTE: CLEATS ARE INDENTED 1/2" FROM EACH SIDE OF CONVEYOR BELT.	HEIGHT	6" WIDE	12" WIDE	18" WIDE	24" WIDE
	3/4"	5.62 ea.	11.15 ea.	16.73 ea.	22.31 ea.
	1"	5.62 ea.	11.15 ea.	16.73 ea.	22.31 ea.
	1-1/2"	6.00 ea.	12.00 ea.	18.00 ea.	24.00 ea.
	2"	6.00 ea.	12.00 ea.	18.00 ea.	24.00 ea.