



COLOR MIXING NOZZLES

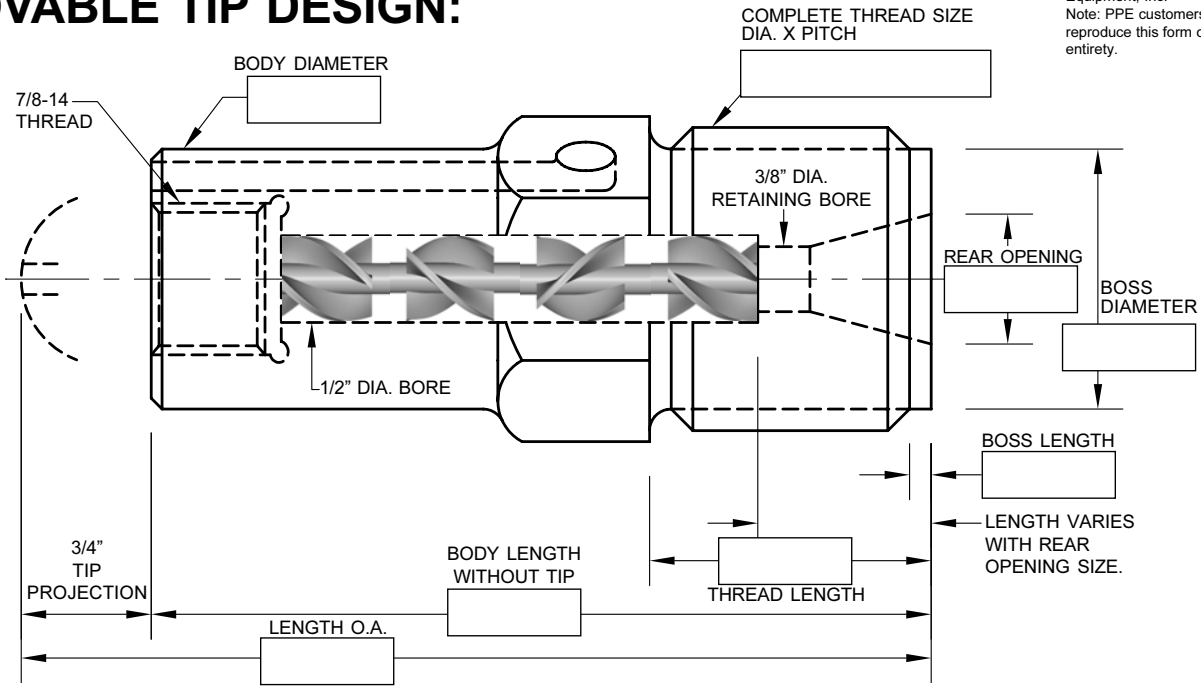
FOR HELIX MIXER SEGMENTS

Order Form (FILL IN THE DIMENSIONS)

JUST MAKE A COPY OF THIS FORM IN IT'S ENTIRETY

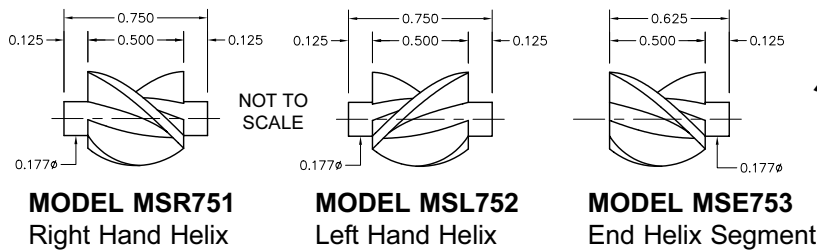
© Copyright 2007 Plastic Process Equipment, Inc.
Note: PPE customers may reproduce this form only in it's entirety.

REMOVABLE TIP DESIGN:

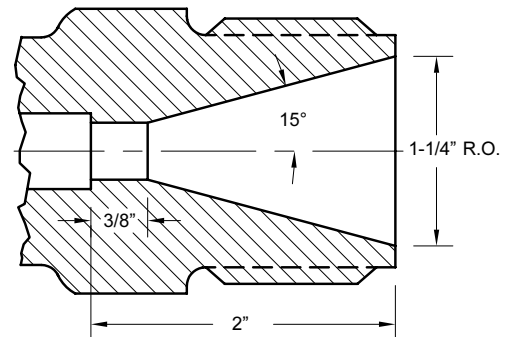


ALWAYS USE A THREAD LUBE!

ALTERNATE VAN DORN V-17 ILLUSTRATED



NOT TO SCALE



ALSO SPECIFY:

MACHINE MAKE & TYPE: _____

TIP: INTERNAL DESIGN GENERAL PURPOSE NYLON FULL TAPER

HEATED DESIGN: EXTERNALLY BAND HEATED INTERNALLY CARTRIDGE HEATED

THERMOCOUPLE HOLE - THREAD SIZE & LOCATION: _____

YOUR COMPANY _____ YOUR P.O. NUMBER _____

ADDRESS _____ FAX NUMBER _____

CITY _____ STATE _____ ZIP _____

PERSON TO CONTACT _____ TELEPHONE _____



PLASTIC PROCESS EQUIPMENT, INC.

8303 CORPORATE PARK DRIVE, MACEDONIA (Cleveland), OHIO 44056, USA
216-367-7000 • Toll Free: 800-321-0562 • Fax: 216-367-7022 • Order Fax: 800-223-8305

www.ppe.com • e-mail: sales@ppe.com

Toll Free: USA, Canada & Mexico 800-362-0706

PPE WEST 3615 Walnut Avenue, Chino, California 91710, USA
909-627-8511 • 800-258-8877 • Fax: 909-627-8101

PPE SOUTH 11218 Challenger Avenue, Odessa, Florida 33556, USA
727-834-8888 • 800-282-6783 • Fax: 727-834-8873