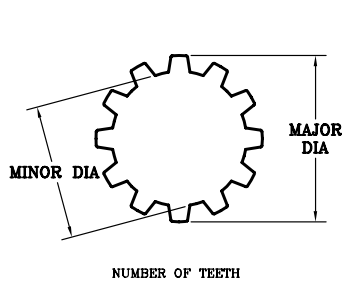
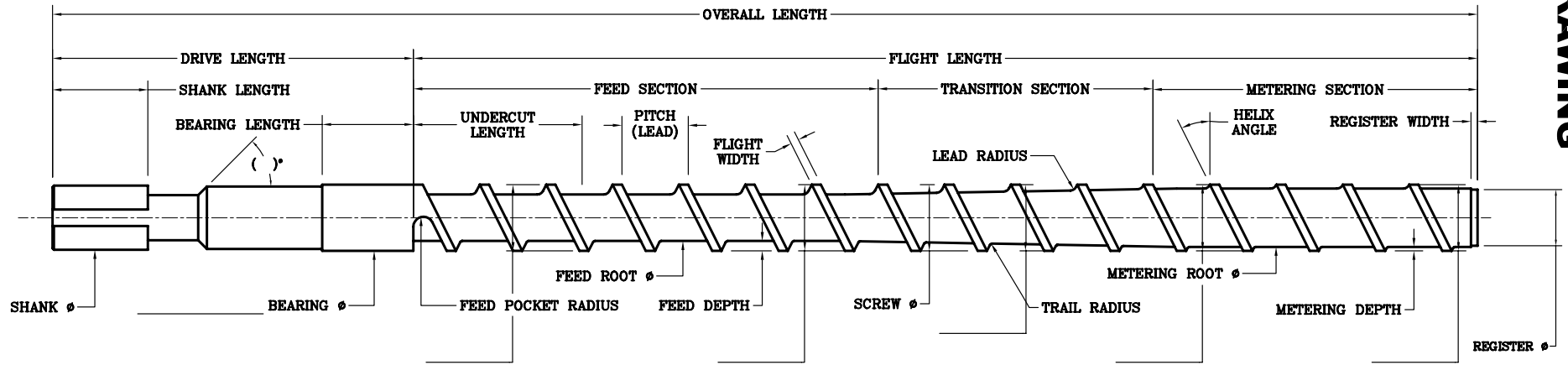
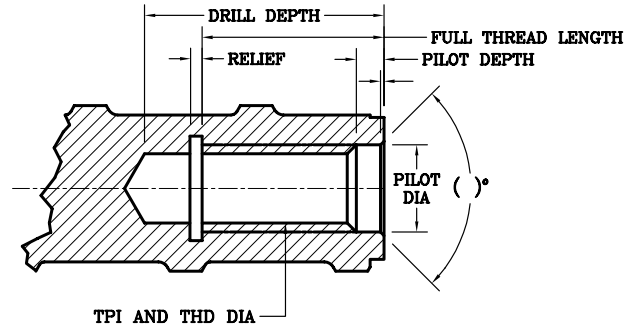
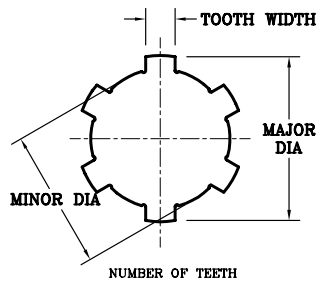


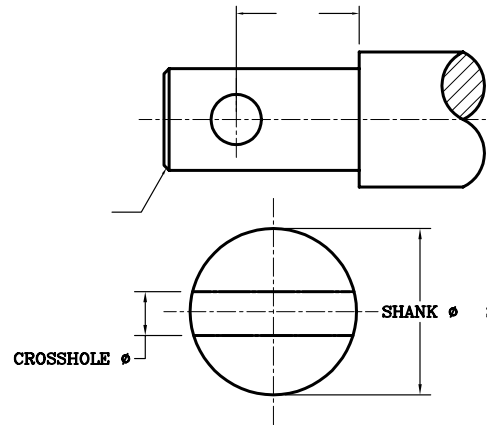
INFORMATION ON THIS DRAWING IS THE PROPERTY OF PLASTIC PROCESS EQUIPMENT, INC. AND SHALL NOT BE USED OR DISCLOSED TO THIRD PERSONS EXCEPT IN CONFORMITY WITH PLASTIC PROCESS EQUIPMENT, INC. CONSENT. REPRODUCTION RIGHTS ARE RESERVED BY PLASTIC PROCESS EQUIPMENT, INC.



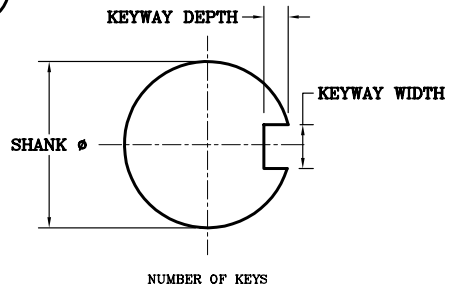
INVOLUTE SPLINE



STRAIGHT SIDED SPLINE



CROSSHOLE



KEYWAY