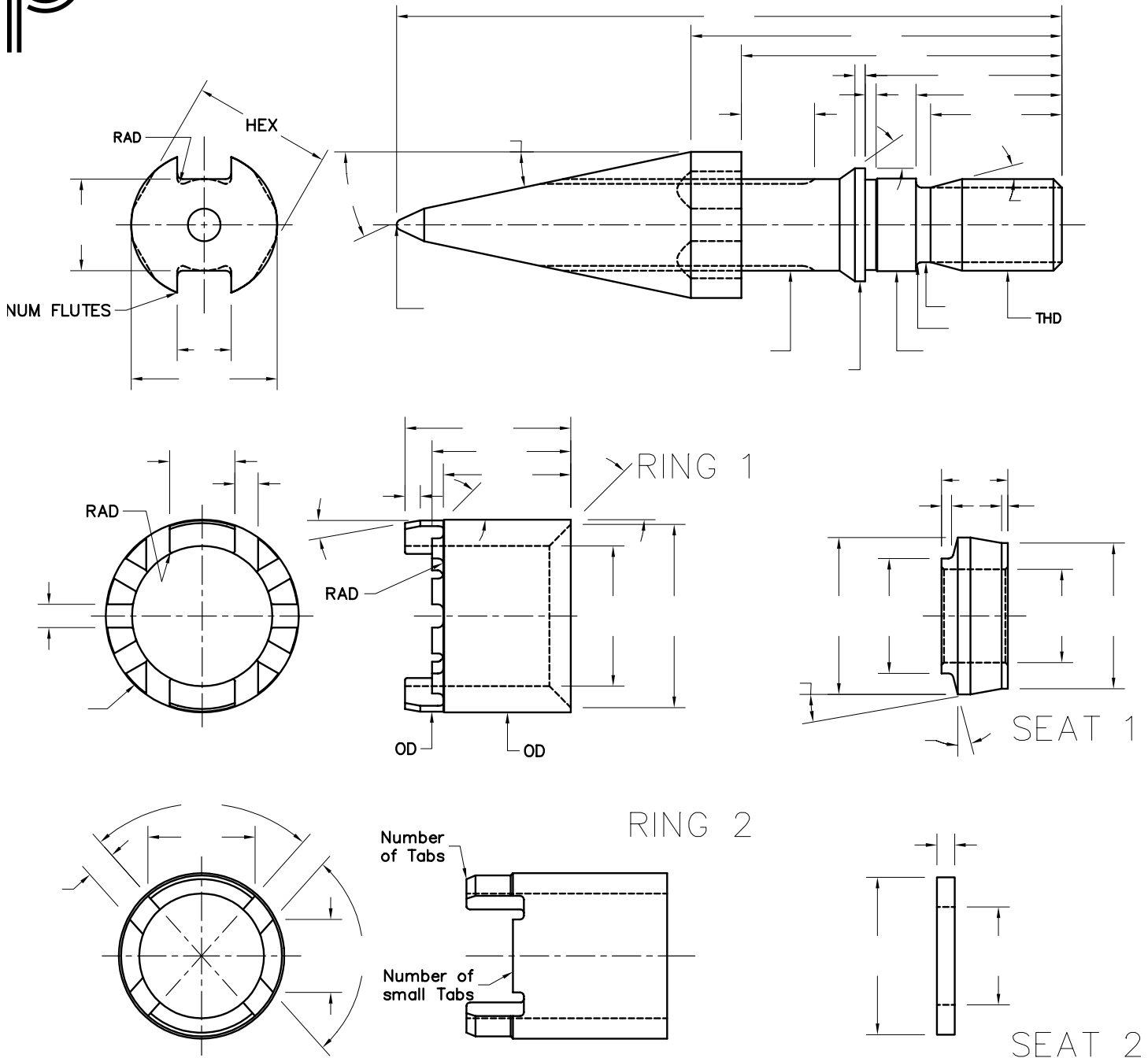




# CASTLE RING ORDER FORM



**PLEASE SPECIFY  
DIMENSIONS TO .001"**

**NOTE: PLEASE BE AWARE - THE DIMENSIONS YOU ARE GIVING  
US MAY BE FROM WORN OR DAMAGED PARTS AND MAY NOT  
BE ACCURATE. FOR BEST ACCURACY, WE RECOMMEND THAT  
YOU SEND THE PARTS TO US.**

MACHINE MAKE & TYPE: \_\_\_\_\_

YOUR COMPANY \_\_\_\_\_ YOUR P.O. NUMBER \_\_\_\_\_

ADDRESS \_\_\_\_\_ FAX NUMBER \_\_\_\_\_

CITY \_\_\_\_\_ STATE \_\_\_\_\_ ZIP \_\_\_\_\_

PERSON TO CONTACT \_\_\_\_\_ TELEPHONE \_\_\_\_\_



**PLASTIC PROCESS EQUIPMENT, INC.**

8303 CORPORATE PARK DRIVE, MACEDONIA (Cleveland), OHIO 44056, USA  
216-367-7000 • Toll Free: 800-321-0562 • Fax: 216-367-7022 • Order Fax: 800-223-8305

www.ppe.com • e-mail: sales@ppe.com

Toll Free: USA, Canada & Mexico

**800-362-0706**

**PPE WEST** 3615 Walnut Avenue, Chino, California 91710, USA  
909-627-8511 • 800-258-8877 • Fax: 909-627-8101

**PPE SOUTH** 11218 Challenger Avenue, Odessa, Florida 33556, USA  
727-834-8888 • 800-282-6783 • Fax: 727-834-8873