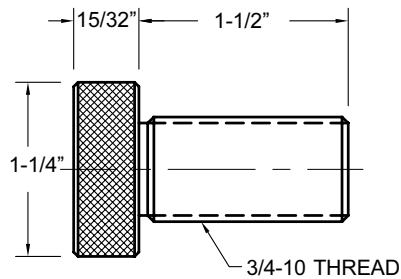




# HEIGHT ADJUSTMENT BOLTS

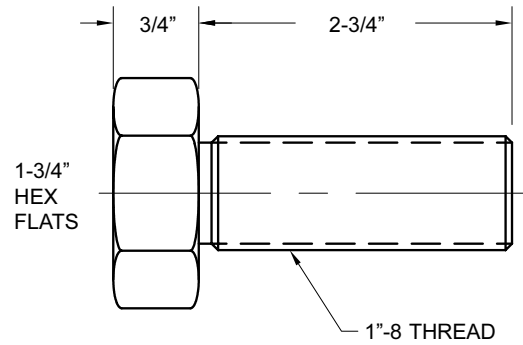
## HEIGHT ADJUSTMENT BOLT



### PART NO. AB-1

1 - 8 pcs .....	\$4.30 ea
9 - 23 .....	\$4.10 ea
24 & over .....	\$3.90 ea

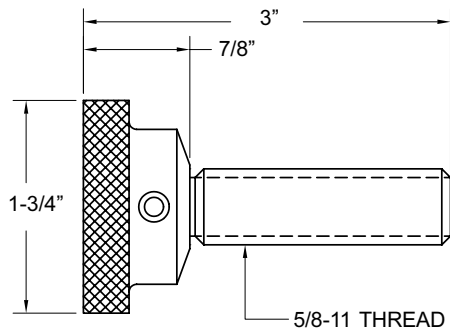
## HEIGHT ADJUSTMENT BOLT



### PART NO. AB-2

1 - 8 pcs .....	\$7.30 ea
9 - 23 .....	\$6.95 ea
24 & over .....	\$6.60 ea

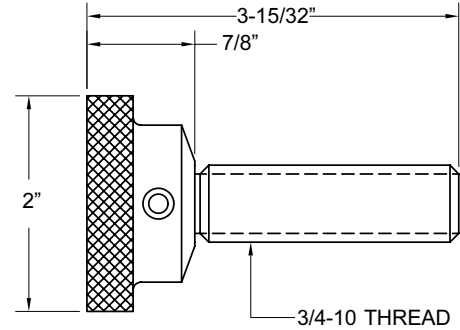
## SWIVEL ADJUSTMENT BOLT



### PART NO. SAB5/8

1 - 8 pcs .....	\$9.15 ea
9 - 23 .....	\$8.70 ea
24 & over .....	\$8.25 ea

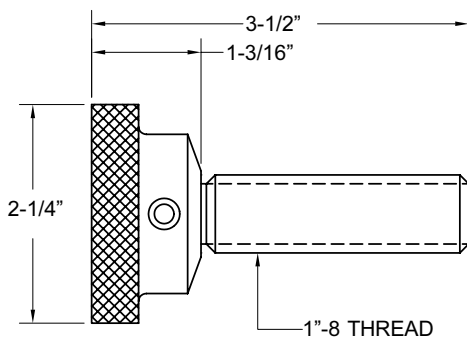
## SWIVEL ADJUSTMENT BOLT



### PART NO. SAB3/4

1 - 8 pcs .....	\$9.90 ea
9 - 23 .....	\$9.40 ea
24 & over .....	\$8.90 ea

## SWIVEL ADJUSTMENT BOLT



### PART NO. SAB1

1 - 8 pcs .....	\$9.75 ea
9 - 23 .....	\$9.25 ea
24 & over .....	\$8.80 ea



## PLASTIC PROCESS EQUIPMENT, INC.

8303 CORPORATE PARK DRIVE, MACEDONIA (Cleveland), OHIO 44056, USA  
 216-367-7000 • Toll Free: 800-321-0562 • Fax: 216-367-7022 • Order Fax: 800-223-8305

www.ppe.com • e-mail: sales@ppe.com

Toll Free: USA, Canada & Mexico

**800-362-0706**

**PPE WEST** 3615 Walnut Avenue, Chino, California 91710, USA  
 909-627-8511 • 800-258-8877 • Fax: 909-627-8101

**PPE SOUTH** 11218 Challenger Avenue, Odessa, Florida 33556, USA  
 727-834-8888 • 800-282-6783 • Fax: 727-834-8873