



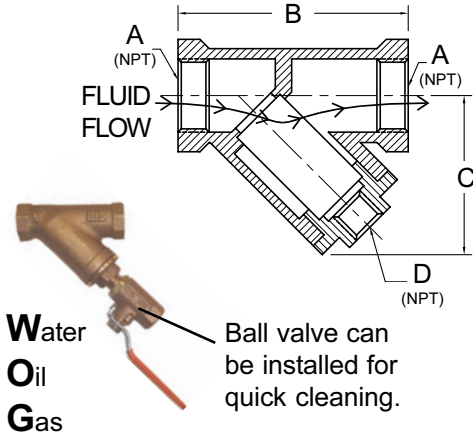
# BRONZE Y-STRAINERS

FOR MAXIMUM PROTECTION AGAINST FOREIGN PARTICLES

## FEATURES

- Heavy Duty cast bronze body.
- Cap is threaded and gasketed.
- Brass Blow-off outlet.
- Y-Pattern Body.
- Self-aligning screen.
- Tapped drain plug opening in cap.
- Type 304 Stainless Screen #20 mesh.
- 150 psi SATURATED STEAM.
- 300 psi WOG non-shock.
- Self-Cleaning.
- Non-Asbestos Gasket.

The PPE Y-Pattern Strainer offers maximum protection against foreign particles in piping systems and process equipment. The heavy duty cast bronze body and #20 mesh stainless steel screen are completely corrosion resistant. Protects regulators, pumps, meters, and other controls from damage due to sediment scale, metal chips, or other foreign materials. The bronze retainer cap is tapped and plugged for easy removal. Self-cleaning can be accomplished by opening the valve or plug connected to the blow-off outlet.



| PART NO. | A<br>THREAD<br>SIZE | B<br>(INCH) | C<br>(INCH) | D<br>PLUG<br>(NPT) | PRICES |        |
|----------|---------------------|-------------|-------------|--------------------|--------|--------|
|          |                     |             |             |                    | 1-11   | 12+    |
| YS14     | 1/4"                | 2.60        | 1.89        | 1/4"               | \$9.40 | \$9.00 |
| YS38     | 3/8"                | 2.60        | 1.89        | 1/4"               | 9.00   | 8.65   |
| YS12     | 1/2"                | 3.13        | 2.28        | 1/4"               | 7.60   | 7.30   |
| YS34     | 3/4"                | 3.43        | 2.36        | 1/4"               | 10.45  | 10.00  |
| YS1      | 1"                  | 4.09        | 2.83        | 1/2"               | 17.05  | 16.35  |
| YS114    | 1-1/4"              | 4.90        | 3.23        | 1/2"               | 25.95  | 24.85  |
| YS112    | 1-1/2"              | 5.59        | 3.74        | 1/2"               | 34.40  | 32.95  |
| YS2      | 2"                  | 6.69        | 4.72        | 1/2"               | 53.70  | 51.40  |
| YS212    | 2-1/2"              | 8.39        | 5.83        | 3/4"               | 134.35 | 128.50 |
| YS3      | 3"                  | 9.06        | 6.69        | 3/4"               | 134.20 | 128.65 |

| SPARE SCREENS |            |
|---------------|------------|
| PART NO.      | PRICES     |
| YS14S         | \$1.06 ea. |
| YS38S         | 1.00 ea.   |
| YS12S         | 1.00 ea.   |
| YS34S         | 1.14 ea.   |
| YS10S         | 1.69 ea.   |
| YS114S        | 1.62 ea.   |
| YS112S        | 2.17 ea.   |
| YS20S         | 4.78 ea.   |
| YS212S        | 13.32 ea.  |
| YS30S         | 16.98 ea.  |

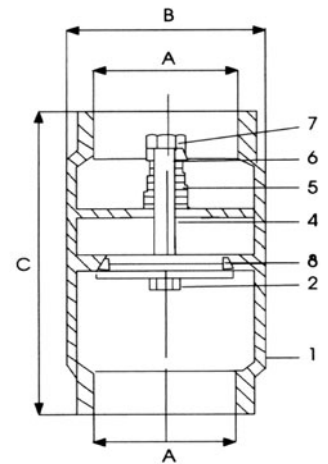


# BRASS IN-LINE CHECK VALVES

S.S. SPRING LOADED BRONZE POPPET

For positive sealing & self-cleaning  
Ensures against leakage.

- -4° to 248°F Temperature Range
- 200 psi WOG; 125 psi SATURATED STEAM
- Corrosion resistant material
- Cast Red Brass body
- S.S. Spring
- Neoprene O-ring Seal
- Can be used vertically or horizontally
- Individually boxed
- Hydraulic Burst test result: 232 Kg/cm<sup>2</sup>



| BRASS CHECK VALVE (inches) |          |        |                  |        |      |      |
|----------------------------|----------|--------|------------------|--------|------|------|
| Size                       | Part No. | Price  | Enters Pipe Side | A NPT  | B    | C    |
| 1/4"                       | CV14     | \$5.00 | -                | 1/4"   | 1.26 | 2.28 |
| 3/8"                       | CV38     | 4.95   | -                | 3/8"   | 1.50 | 2.28 |
| 1/2"                       | CV12     | 5.10   | 1-1/4"           | 1/2"   | 1.77 | 2.43 |
| 3/4"                       | CV34     | 7.00   | 1-1/4"           | 3/4"   | 2.13 | 2.72 |
| 1"                         | CV10     | 9.30   | 2"               | 1"     | 2.36 | 3.23 |
| 1-1/4"                     | CV114    | 13.95  | 2-1/2"           | 1-1/4" | 3.03 | 3.62 |
| 1-1/2"                     | CV112    | 17.05  | 3"               | 1-1/2" | 4.21 | 4.04 |
| 2"                         | CV20     | 27.15  | 3-1/2"           | 2"     | 5.51 | 5.04 |

