



**HEAVY  
DUTY**

# PREMIUM AIR BLOW GUNS

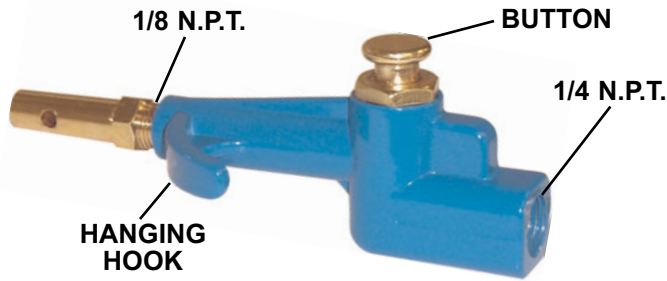
## SAFETY CONTROLLED FLOW

**6  
MODELS**

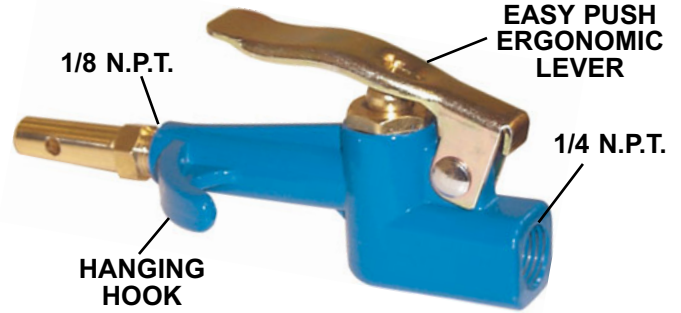
### OSHA COMPLIANT PPE MODELS BG-2 AND BG-2L SAFETY CONTROLLED FLOW BLOW GUNS

These models comply with paragraph 41 CFR 50-204.8 of the Walsh-Healey Standards and section 1910.242 paragraph (b) of the Williams-Steiger Occupational Safety and Health Act (OSHA) and directive # STD 1-13.1.

**PRESSURE REDUCTION:** To provide for varying line pressures the above model blow guns are produced with three inlet air pressure ratings which reduce the outlet pressures to 30 P.S.I. to comply with O.S.H.A., these are designated by the numbers 30 and 20. 30 = 100 P.S.I inlet to 30 P.S.I outlet. 20 = 150 P.S.I. to 30 P.S.I. Guns are color coded for easy identification.



**MODEL BG-2 BUTTON OPERATED BLOW GUN**






**MODEL BG-2L LEVER OPERATED BLOW GUN**

BUTTON OPERATED				LEVER OPERATED			
BLOW GUN MODEL	PRESSURE REDUCTION INLET/OUTLET	COLOR CODE	PRICES W/TIP	BLOW GUN MODEL	PRESSURE REDUCTION INLET/OUTLET	COLOR CODE	PRICES W/TIP
BG-230STT	100/30	YELLOW	W/SAFETY TIP \$5.50	BG-2L30STT	100/30	YELLOW	W/SAFETY TIP \$5.70
BG-220STT	150/30	BLUE	W/SAFETY TIP \$5.50	BG-2L20STT	150/30	BLUE	W/SAFETY TIP \$5.70
BG-2	100/100	ZINC	W/STD. TIP \$5.00	BG-2L	100/100	ZINC	W/STD. TIP \$5.50

**ALWAYS WEAR  
SAFETY GLASSES  
WITH SIDE SHIELDS!**

## BLOW GUN TIPS

- Full Range Air Delivery - Thumb pressure controls variation in velocity to max. gun rating.
- 1/8" N.P.T. Male Tip Thread • Sound level 86 decibels • Easy hang up hook.

ST SAFETY TIP	STANDARD TIP	EX12 12" EXTENSION
 WITH SAFETY CONICAL AIR SHIELD TO BLOW PARTICLES SAFELY AWAY FROM OPERATOR		 • Permanent extension. • Employs same tip as gun. • Dynamic and static pressures same as installed on gun. • Lightweight aluminum. • Fits between tip and gun.
MODEL EX2ST SAFETY TIP 1/8 N.P.T. THREAD PRICE ..... \$1.10	MODEL EX2 STANDARD TIP 1/8 N.P.T. THREAD PRICE ..... \$.80	MODEL EX12 EXTENSION (LESS TIP) 1/8 N.P.T. THREAD PRICE ..... \$3.25



### PLASTIC PROCESS EQUIPMENT, INC.

8303 CORPORATE PARK DRIVE, MACEDONIA (Cleveland), OHIO 44056, USA  
216-367-7000 • Toll Free: 800-321-0562 • Fax: 216-367-7022 • Order Fax: 800-223-8305

www.ppe.com • e-mail: sales@ppe.com

**Toll Free: USA, Canada & Mexico  
800-362-0706**

**PPE WEST** 3615 Walnut Avenue, Chino, California 91710, USA  
909-627-8511 • 800-258-8877 • Fax: 909-627-8101

**PPE SOUTH** 11218 Challenger Avenue, Odessa, Florida 33556, USA  
727-834-8888 • 800-282-6783 • Fax: 727-834-8873