

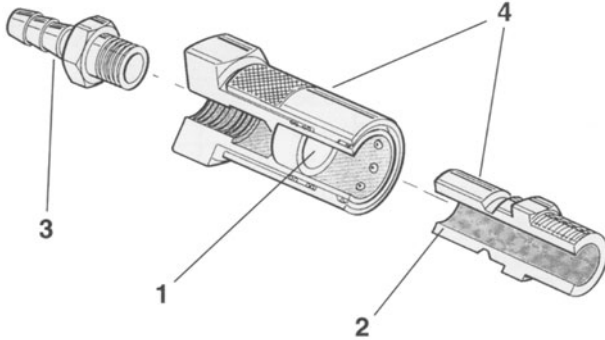


# WATER LINE CONNECTORS

## MAKE CHANGES IN A JIFFY



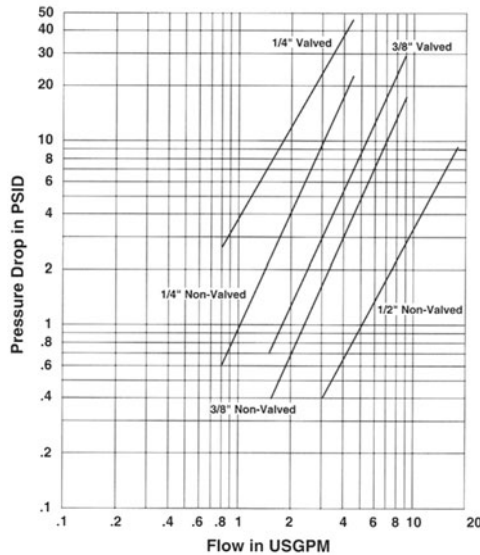
SOCKETS & PLUGS ARE  
**ISO-9001**  
MANUFACTURED IN A  
QUALITY SYSTEM CERTIFIED  
FACILITY.



### PERFORMANCE

Media: ML H-5606 @ oil 100°F

Moldmate Series (1/4; 3/8; 1/2") Water Pressure Drop (Straight)



### Features

1. Available with or without valves in the coupler. Nonvalved couplers have minimum flow resistance for maximum cooling. Valved couplers shut off automatically upon disconnect. Valved couplers can be used with either valved or non-valved nipples. A valved nipple, however, must be used with an "AV" coupler.
2. Nipples are designed to be recessed below mold surfaces to provide more efficient storage of molds and prevent damage to the nipple.
3. Widest choice of end fittings available, including straight, 45° or 90° with standard hose barb or Push-Lok bars for easy installation.
4. Couplers and nipples are made of corrosion resistant brass and valved couplers or valved nipple have a Viton™ O-ring on poppet and Silicone interface seal as standard for use with water glycol (anti-freeze) type fluids commonly used in heat transfer systems.

### SPECIFICATIONS

Working Pressure (psi)

1/4	3/8	1/2
200	200	200

Temperature Range:

Standard Silicone Seal

- 90° to +400°F

Optional Viton Seal (for oil only)

- 20° to +400°F

Viton Seal (for water/glycol)

max. = +180°F

Material: Nipples and coupler bodies

Brass or Steel

Coupler Sleeves

Brass

Seals — Standard

Silicone

Optional

Viton

COLOR: SILICONE SEALS = ORANGE, VITON = BLACK

#### 200 SERIES SPARE PARTS FOR 1/4" HOLE SIZE

DESCRIPTION	PART#	QUANTITY	PRICE
SILICONE SEAL	W-20012	12/PACK	\$ .65
SILICONE SEAL	W-200100	100/PACK	4.35
VITON SEAL	W-20012Y	12/PACK	2.90
VITON SEAL	W-200100Y	100/PACK	21.50
VALVE	V-200	EACH	.75
SPRING	VS-200	12/PACK	1.00

#### 300 SERIES SPARE PARTS FOR 3/8" HOLE SIZE

DESCRIPTION	PART#	QUANTITY	PRICE
SILICONE SEAL	W-30012	12/PACK	\$1.00
SILICONE SEAL	W-300100	100/PACK	6.70
VITON SEAL	W-30012Y	12/PACK	4.90
VITON SEAL	W-300100Y	100/PACK	38.05
VALVE	V-300	EACH	1.50
SPRING	VS-300	12/PACK	2.00

#### 500 SERIES SPARE PARTS FOR 1/2" HOLE SIZE

DESCRIPTION	PART#	QUANTITY	PRICE
SILICONE SEAL	W-50012	12/PACK	\$4.05
VITON SEAL	W-50012Y	12/PACK	9.75
VALVE	V-500	EACH	2.35
SPRING	VS-500	12/PACK	3.00

### ISO-9002

MANUFACTURED IN A  
QUALITY SYSTEM CERTIFIED  
FACILITY.



SEAL



VALVE



SPRING



## PLASTIC PROCESS EQUIPMENT, INC.

8303 CORPORATE PARK DRIVE, MACEDONIA (Cleveland), OHIO 44056, USA

216-367-7000 • Toll Free: 800-321-0562 • Fax: 216-367-7022 • Order Fax: 800-223-8305

**PPE WEST** 3615 Walnut Avenue, Chino, California 91710, USA  
909-627-8511 • 800-258-8877 • Fax: 909-627-8101

**PPE SOUTH** 11218 Challenger Avenue, Odessa, Florida 33556, USA  
727-834-8888 • 800-282-6783 • Fax: 727-834-8873

www.ppe.com • e-mail: sales@ppe.com

Toll Free: USA, Canada & Mexico

**800-362-0706**