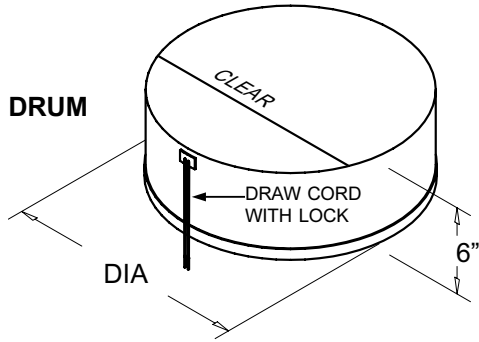




DRUM AND GAYLORD COVER SPECIAL ORDER FORM

ROUND DRUM COVER



SKIRT HAS FLAT ELASTIC AT BOTTOM

DRUM DIA: _____

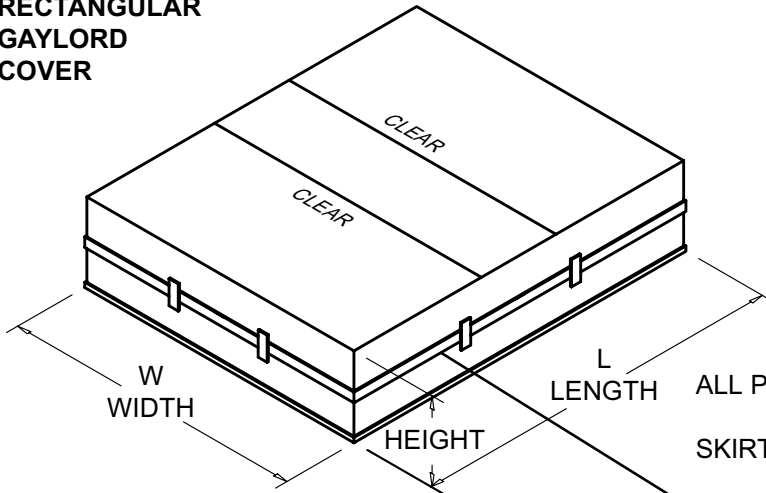
NUMBER OF PORTS: _____

PORT SIZE: _____

PORT LOCATION: MARK ON DRAWING

ORDER QUANTITY: _____

RECTANGULAR GAYLORD COVER



ALL PORTS HAVE FLAT ELASTIC AND ZIPPER STANDARD

SKIRT HAS FLAT ELASTIC AT BOTTOM

1" STRAP AND CLAMP AROUND SKIRT INCLUDED FOR POSITIVE PRESSURE APPLICATIONS.

SIZE (L x W): _____

HEIGHT: (std 10" to 12") _____

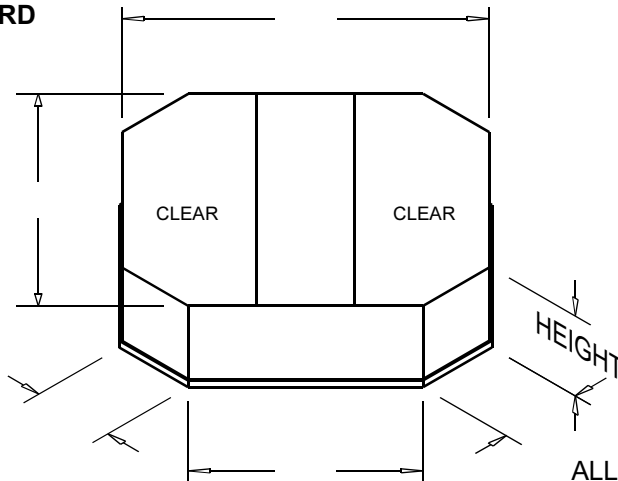
NUMBER OF PORTS: _____

PORT SIZE: _____

PORT LOCATION: MARK ON DRAWING

ORDER QUANTITY: _____

OCTAGON GAYLORD COVER



ALL PORTS HAVE FLAT ELASTIC AND ZIPPER STANDARD

SKIRT HAS FLAT ELASTIC AT BOTTOM

1" STRAP AND CLAMP AROUND SKIRT INCLUDED FOR POSITIVE PRESSURE APPLICATIONS.

MARK DIMENSIONS ON DRAWING

HEIGHT: (std 10"-12") _____

NUMBER OF PORTS: _____

PORT SIZE: _____

PORT LOCATION: MARK ON DRAWING

ORDER QUANTITY: _____



PLASTIC PROCESS EQUIPMENT, INC.

8303 CORPORATE PARK DRIVE, MACEDONIA (Cleveland), OHIO 44056, USA

216-367-7000 • Toll Free: 800-321-0562 • Fax: 216-367-7022 • Order Fax: 800-223-8305

www.ppe.com • e-mail: sales@ppe.com

Toll Free: USA, Canada & Mexico

800-362-0706

PPE WEST 3615 Walnut Avenue, Chino, California 91710, USA
909-627-8511 • 800-258-8877 • Fax: 909-627-8101

PPE SOUTH 11218 Challenger Avenue, Odessa, Florida 33556, USA
727-834-8888 • 800-282-6783 • Fax: 727-834-8873