



# CONVEYOR LAYOUT SPECIFICATIONS AND PRICES



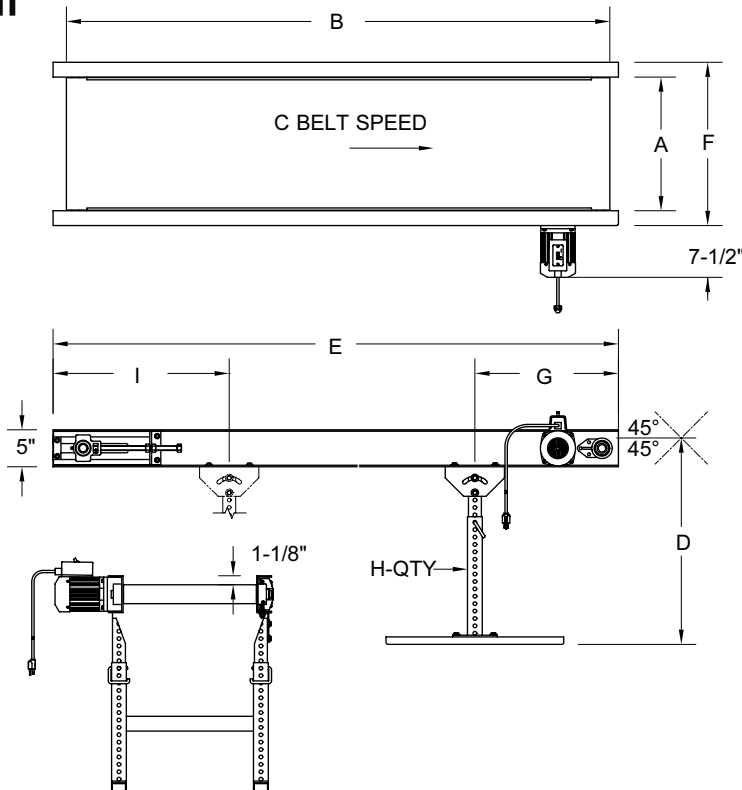
**OPTIONAL:**

Variable Speed Control Factory Installed Only,  
0-54 FPM, SCR Control, 1/4 H.P. D.C. Motor.  
Price ..... \$325.00  
Side Rails Optional Extra  
Cleated Belt Optional Extra



**OPTIONAL:**

Motor mounted under conveyor.  
Price ..... add \$100.00  
Add "MU" to conveyor part number.



	Model No.	A Belt Width In.	B Nominal Belt Length	C Belt Speed Ft./Min.	D Height to Top of Belt		E Length Overall In.	F Frame Width In.	G In.	H Qty. of Stands	I In.	Approx. Shipping Weight Lbs.	Prices
					Max.	Min.							
12" Wide Models	PC-124	12"	4'	18.3	41"	29"	52"	17"	19"	1	-	143	\$1,341.00
	PC-125	12"	5'	18.3	41"	29"	64"	17"	25-1/4"	1	-	164	1,382.00
	PC-126	12"	6'	18.3	41"	29"	76"	17"	31"	1	-	185	1,414.00
	PC-127	12"	7'	18.3	41"	29"	88"	17"	37"	1	-	206	1,463.00
	PC-128	12"	8'	18.3	41"	29"	100"	17"	23"	2	24"	233	1,625.00
	PC-1210	12"	10'	18.3	41"	29"	124"	17"	23"	2	36"	255	1,788.00
	PC-1212	12"	12'	18.3	41"	29"	148"	17"	23"	2	48"	277	1,866.00
18" Wide Models	PC-184	18"	4'	18.3	41"	29"	52"	23"	19"	1	-	150	1,418.00
	PC-185	18"	5'	18.3	41"	29"	64"	23"	25-1/4"	1	-	175	1,477.00
	PC-186	18"	6'	18.3	41"	29"	76"	23"	31"	1	-	200	1,514.00
	PC-187	18"	7'	18.3	41"	29"	88"	23"	37"	1	-	240	1,571.00
	PC-188	18"	8'	18.3	41"	29"	100"	23"	23"	2	24"	271	1,752.00
	PC-1810	18"	10'	18.3	41"	29"	124"	23"	23"	2	36"	311	1,909.00
	PC-1812	18"	12'	18.3	41"	29"	148"	23"	23"	2	48"	350	2,019.00
	★PC-1815	18"	15'	19	41"	29"	184"	23"	23"	2	60"	408	2,285.00
★PC-1820	18"	20'	19	41"	29"	244"	23"	23"	3	60"	506	2,516.00	
24" Wide Models	PC-245	24"	5'	18.3	41"	29"	64"	29"	25-1/4"	1	-	186	1,559.00
	PC-246	24"	6'	18.3	41"	29"	76"	29"	31"	1	-	241	1,621.00
	PC-247	24"	7'	18.3	41"	29"	88"	29"	37"	1	-	296	1,677.00
	PC-248	24"	8'	18.3	41"	29"	100"	29"	23"	2	24"	375	1,867.00
	PC-2410	24"	10'	18.3	41"	29"	124"	29"	23"	2	36"	468	2,042.00
	★PC-2412	24"	12'	19	41"	29"	148"	29"	23"	2	48"	561	2,170.00
	★PC-2415	24"	15'	19	41"	29"	184"	29"	23"	2	60"	702	2,315.00

★ LONGER UNITS SUPPLIED WITH A 1/2 H.P. T.E.F.C. RIGHT ANGLE GEARBOX MOTOR. SEE EXTRA WIDE MODELS FOR PICTURE.  
STANDARD STEEL SIDE RAILS WITH END BRACE, UP TO 8 FT. LONG x 3 1/2" HIGH .....\$102.00  
STAINLESS STEEL SIDE RAILS WITH END BRACE, UP TO 8 FT. LONG x 3 1/2" HIGH.....\$150.00

MOLDED-ON CLEAT PRICES NOTE: CLEATS ARE INDENTED 1/2" FROM EACH SIDE OF CONVEYOR BELT.	HEIGHT	6" WIDE	12" WIDE	18" WIDE	24" WIDE
	3/4"	5.62 ea.	11.15 ea.	16.73 ea.	22.31 ea.
	1"	5.62 ea.	11.15 ea.	16.73 ea.	22.31 ea.
	1-1/2"	6.00 ea.	12.00 ea.	18.00 ea.	24.00 ea.
	2"	6.00 ea.	12.00 ea.	18.00 ea.	24.00 ea.