



SPRUE PICKING SWING-ARM ROBOTS

Single Stage (V Models) & Telescopic Arm (WV Models)

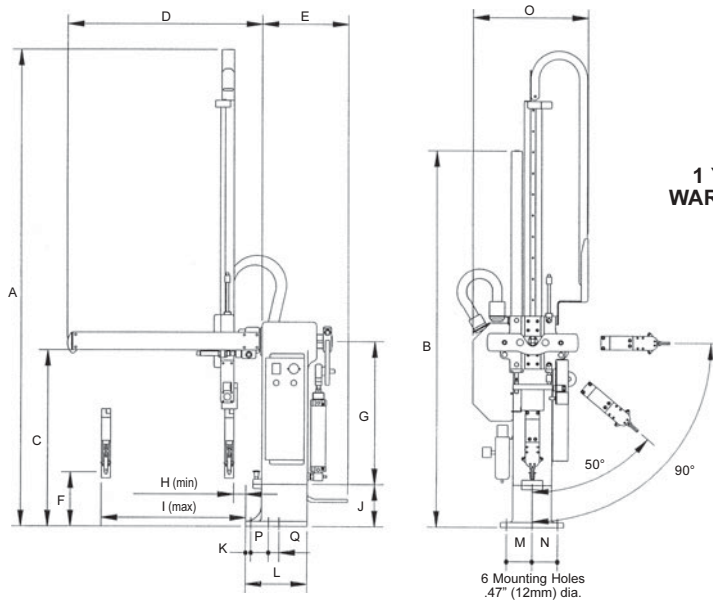
SPECIFICATIONS - PHOENIX Series

TYPE	P350V	P450V	P550V	P650V	P650WV	P750WV	P850WV	P950WV
I.M.M.	15 ~ 30 Tons	30 ~ 60 Tons	50 ~ 100 Tons	50 ~ 150 Tons	50 ~ 150 Tons	150 ~ 200 Tons	200 ~ 250 Tons	200 ~ 300 Tons
Power	110 Volt 60 Hz	110 Volt 60 Hz	110 Volt 60 Hz	110 Volt 60 Hz	110 Volt 60 Hz	110 Volt 60 Hz	110 Volt 60 Hz	110 Volt 60 Hz
Air Consumption	0.04 (Cu ft/Cycle)	0.04 (Cu ft/Cycle)	0.06 (Cu ft/Cycle)	0.06 (Cu ft/Cycle)	0.08 (Cu ft/Cycle)	0.09 (Cu ft/Cycle)	0.10 (Cu ft/Cycle)	0.11 (Cu ft/Cycle)
Air Pressure	73 psi	73 psi	73 psi	73 psi	73 psi	73 psi	73 psi	73 psi
Take-out Time	Max. 0.6 Sec	Max. 0.7 Sec	Max. 0.8 Sec	Max. 0.9 Sec	Max. 0.9 Sec	Max. 1.0 Sec	Max. 1.2 Sec	Max. 1.4 Sec
Total Cycle Time	Max. 3.0 Sec	Max. 3.5 Sec	Max. 4.2 Sec	Max. 4.4 Sec	Max. 4.2 Sec	Max. 4.8 Sec	Max. 5.2 Sec	Max. 6.0 Sec
Max Payload	Max. 2.2 lb.	Max. 2.2 lb.	Max. 4.4 lb.	Max. 4.4 lb.	Max. 4.4 lb.	Max. 4.4 lb.	Max. 4.4 lb.	Max. 4.4 lb.
Extension Stroke	Max 13.7 inch	Max 17.7 inch	Max 21.7 inch	Max 25.6 inch	Max 25.6 inch	Max 29.5 inch	Max 33.5 inch	Max 37.4 inch
Kick Stroke	Max 2.9 inch	Max 2.9 inch	Max 4.7 inch	Max 4.7 inch	Max 4.7 inch	Max 7.8 inch	Max 7.8 inch	Max 7.8 inch
Swing Angle	Min 60°~Max 90°	Min 60°~Max 90°	Min 60°~Max 90°	Min 60°~Max 90°	Min 60°~Max 90°	Min 60°~Max 90°	Min 60°~Max 90°	Min 60°~Max 90°
Net Weight	66 lb	68.3 lb	77.2 lb	79.4 lb	110.2 lbs	112.4 lb	119.1 lb	121.3 lb

*V denotes vacuum generator models.

*W denotes telescoping models. Telescoping models offer shorter overall height.

ISO-9001
MANUFACTURED IN A
QUALITY SYSTEM CERTIFIED
FACILITY.



SINGLE STAGE Vertical Arm Models

Features & Functions	Model	Price
Supplied with: SPI Interface Connector, Sprue Picking, 90° Wrist, Vacuum Generator for End of Arm Tooling Kit	P350V	\$2,699.00
	P450V	\$2,800.00
	P550V	\$3,075.00
	P650V	\$3,100.00

TELESCOPIC Vertical Arm Models

Features & Functions	Model	Price
Supplied with: SPI Interface Connector, Sprue Picking, 90° Wrist, Vacuum Generator for End of Arm Tooling Kit, plus shorter overall height	P650WV	\$4,075.00
	P750WV	\$4,150.00
	P850WV	\$4,450.00
	P950WV	\$4,600.00

TWIN Double Arm Model

Features & Functions	Model	Price
Double Arm: Arm 1 = Sprue Picking Arm 2 = Sprue Picking, 90° Wrist plus End of Arm Vacuum Tooling	TWIN650 AXC	\$7,400.00 \$3,995.00

SPI Interface Connector for the Molding Machine
Part No. TOP10999A \$110.00

SPI Interface Connector for the Sprue Picker
Part No. TOP10999 (comes w/picker) \$151.00

DIMENSIONS

MODEL	A	B	C	D	E	F	G	H	I	J	K	L	M	N	O	P	Q
P350V	34.06 - 39.96" 865 - 1015mm	32.16" 817mm	11.81 - 17.72" 300 - 450mm	15.55" 395mm	5.91" 150mm	0 - 5.91" 0 - 150mm	12.80 - 18.70" 325 - 475mm	1.18" 30mm	9.06" 230mm	1.97" 50mm	0.59" 15mm	5.51" 140mm	2.17" 55mm	2.17" 55mm	11.22" 285mm	1.57" 40mm	1.18" 30mm
P450V	38.78 - 44.68" 985 - 1135mm	36.10" 917mm															
P550V	53.15" 1350mm	42.52" 1080mm	20.00" 508mm	22.05" 560mm	10.04" 255mm	8.27" 210mm	16.26" 413mm	1.97" 50mm	16.54" 420mm	4.72" 120mm	0.59" 15mm	6.89" 175mm	2.95" 75mm	2.95" 75mm	11.81" 300mm	1.97" 50mm	1.18" 30mm
P650V	57.09" 1450mm	46.46" 1180mm															
P650WV	43.70" 1110mm	35.04" 890mm															
P750WV	45.67" 1160mm	37.01" 940mm	20.00" 508mm	22.05" 560mm	10.04" 255mm	7.68" 195mm	16.26" 413mm	5.31" 135mm	16.93" 430mm	4.72" 120mm	0.59" 15mm	6.89" 175mm	2.24" 57mm	3.66" 93mm	11.81" 300mm	1.97" 50mm	1.18" 30mm
P850WV	47.64" 1210mm	38.98" 990mm															
P950WV	49.61" 1260mm	40.95" 1040mm															

Quality improvements, specifications and dimensions are subject to change without notice.



PLASTIC PROCESS EQUIPMENT, INC.

8303 CORPORATE PARK DRIVE, MACEDONIA (Cleveland), OHIO 44056, USA
216-367-7000 • Toll Free: 800-321-0562 • Fax: 216-367-7022 • Order Fax: 800-223-8305

www.ppe.com • e-mail: sales@ppe.com

Toll Free: USA, Canada & Mexico

800-362-0706

PPE WEST 3615 Walnut Avenue, Chino, California 91710, USA
909-627-8511 • 800-258-8877 • Fax: 909-627-8101

PPE SOUTH 11218 Challenger Avenue, Odessa, Florida 33556, USA
727-834-8888 • 800-282-6783 • Fax: 727-834-8873